

JASPER | WOK RANGE SERIES



FEATURES

- GasMark by IAPMO R&T Oceana-GMK10823
- Heavy duty frame
- Duckbill burner or chimney burner available
- Waterless wok
- 14" wok hole
- Available in Nat. gas or LPG
- Flame failure protection with pilot
- High splashback with shelf

SINGLE WOK RANGE

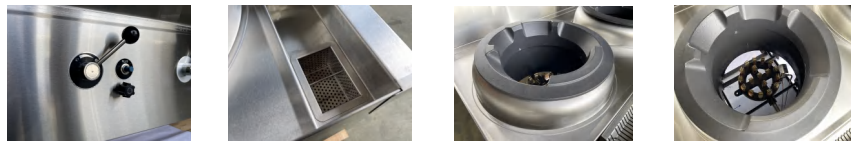
Model No.	Size(mm)	Burner	Gas	Mj/hr
JA-1DB-N	900x600x1180	Duckbill	Nat.	100
JA-1DB-L	900x600x1180	Duckbill	LPG	80
JA-1CB-N	900x600x1180	Chimney	Nat.	100
JA-1CB-L	900x600x1180	Chimney	LPG	90

DOUBLE WOK RANGE

Model No.	Size(mm)	Burner	Gas	Mj/hr
JA-2DB-N	900x1200x1180	Duckbill	Nat.	200
JA-2DB-L	900x1200x1180	Duckbill	LPG	160
JA-2CB-N	900x1200x1180	Chimney	Nat.	200
JA-2CB-L	900x1200x1180	Chimney	LPG	180

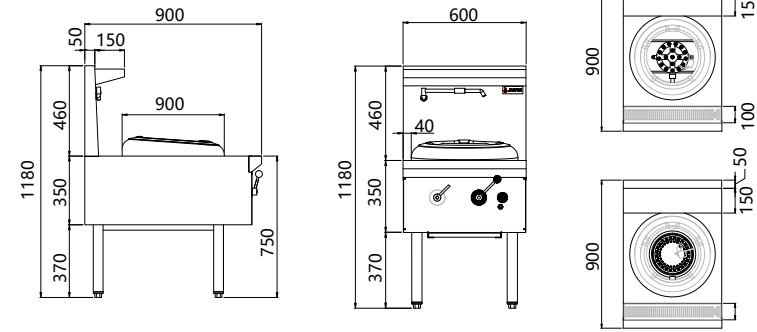
TRIPLE WOK RANGE

Model No.	Size(mm)	Burner	Gas	Mj/hr
JA-3DB-N	900x1800x1180	Duckbill	Nat.	300
JA-3DB-L	900x1800x1180	Duckbill	LPG	240
JA-3CB-N	900x1800x1180	Chimney	Nat.	300
JA-3CB-L	900x1800x1180	Chimney	LPG	270

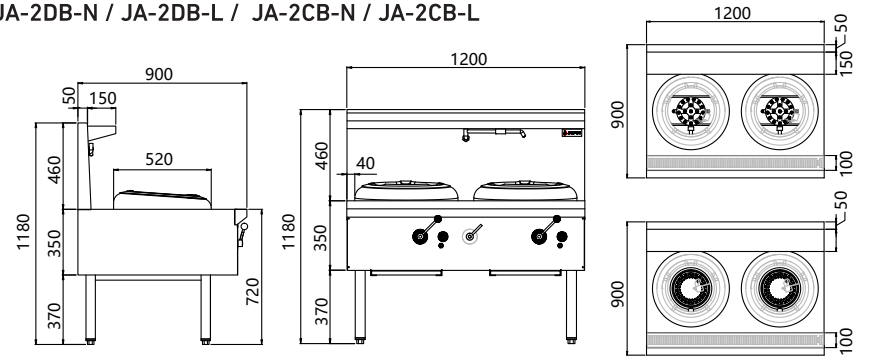


WOK RANGE SERIES

JA-1DB-N / JA-1DB-L / JA-1CB-N / JA-1CB-L



JA-2DB-N / JA-2DB-L / JA-2CB-N / JA-2CB-L



JA-3DB-N / JA-3DB-L / JA-3CB-N / JA-3CB-L

