

JULY

PROFESSIONAL GELATO SHOWCASE



Ventilated



Auto. Defrosting



Temperature -16~-18 °C








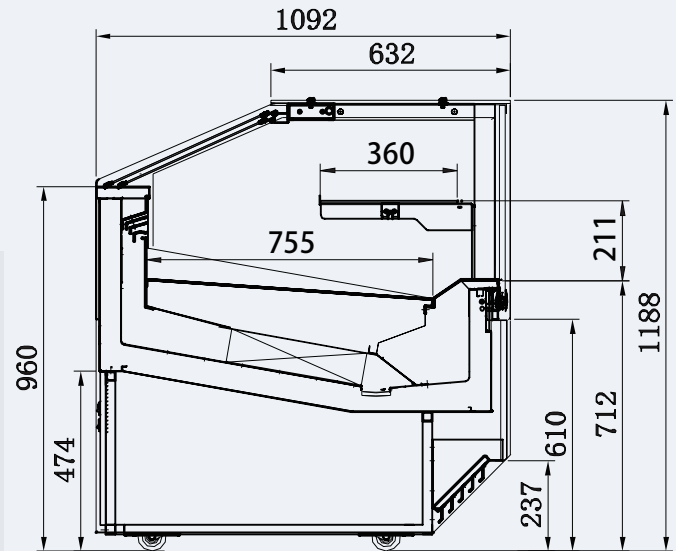
Environmental Condition +30 °C / 60%RH

TECHNICAL SPECIFICATIONS AND PRODUCT RANGE

AESTHETIC AND FRAMEWORK

- `Double, tempered and heated front glass openable downwards, easy for cleaning
- `Heated side glasses
- `LED lighting system on the ceiling, energy-saving and durability
- `Operator`s side closing by plexiglass sliding doors
- `Customized panel (RAL color and logo optional)
- `Pans and barrel optional

PANS MODEL			12	16	18	20	24
			12	16	18	20	24
PANS SIZE:325*176*65h GN 1/3	PANS SIZE:325*176*100h GN 1/3	PANS SIZE:360*165*120h					
			8	10	12	12	14
PANS SIZE:325*265*65h GN 1/2	PANS SIZE:325*265*100h GN 1/2						



TECHNOLOGY

- `Cooling system with hermetic compressor for incorporated air-cooling condensing units
- `Electronic check panel with digital thermometer and thermostat
- `Automatic defrosting
- `With wheels and feet, easy to move and fix.

MODEL	DIMENSIONS LXWXH (MM)	WORKING TEMP (°C)	WEIGHT (NET/GROSS)(KG)	VOLTAGE V/PH/Hz	INPUT POWER (W)
JULY12	1252*1092*1188	-16°C~-18°C	262/360	220-240/1/50	1174
JULY 16	1582*1092*1188	-16°C~-18°C	315/416	220-240/1/50	1304
JULY 18	1747*1092*1188	-16°C~-18°C	332/485	220-240/1/50	1435
JULY 20	1912*1092*1188	-16°C~-18°C	347/517	400/3/50	2000
JULY 24	2242*1092*1188	-16°C~-18°C	379/569	400/3/50	2261

N.B.:The working temperature refers to the following environmental conditions:+30°C/60% Relative Humidity