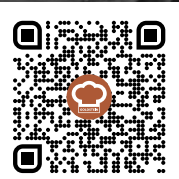




BPG85 BRATT PAN



BPG85 standard features and benefits

- Nominal capacity of 85 litre stainless steel pan
- Smooth stainless steel exterior
- Seven powerful burners located in the base of the pan, together with 10 mm thick Duplex seamless stainless steel base provides improved heat retention, even heat and ease of cleaning
- Ergonomically designed counter balanced, screwless double skin lid with heavy duty lifting mechanism and drip zone at the back
- Simple high to low flame adjustable control
- Pan design with a rounded corners and no edges
- Wide opening for unloading and easy cleaning
- Pouring spout
- Heavy duty electronic tilt mechanism
- ¼ turn tap and fixed spout on top
- Battery operated spark ignition
- Safety gas cut off valve
- Pilot flame failure
- All components easily serviceable from the front
- All new sleek design

Standard accessories

- Adjustable legs 140-170 mm

Optional accessories part codes

	50-300 °C thermostatic burner control
C2	100 mm castors set of 2
C4	100 mm castors set of 4, 2 with brakes
CHAIN	for use with castors



Please note, due to ongoing product development and improvement, we reserve the right to change product design and specification at any time without notice.



1800 013 123 | +61 2 9604 7333
sales@middleby.com.au
middleby.com.au

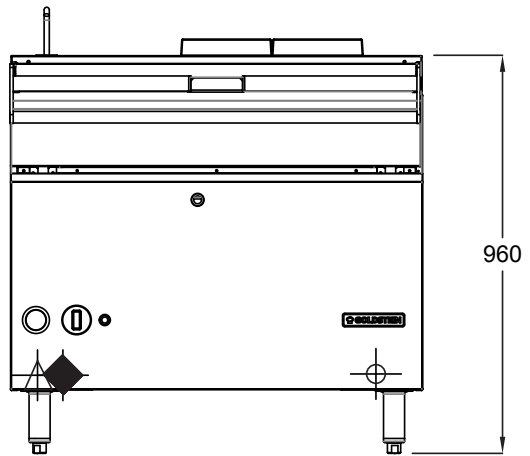
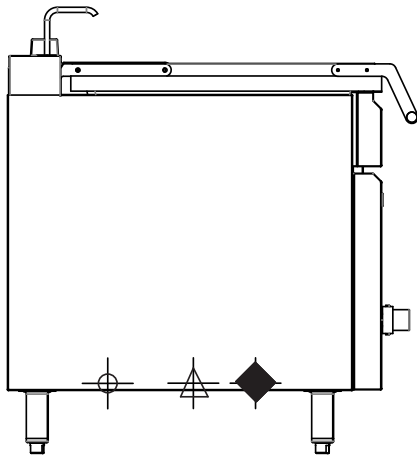
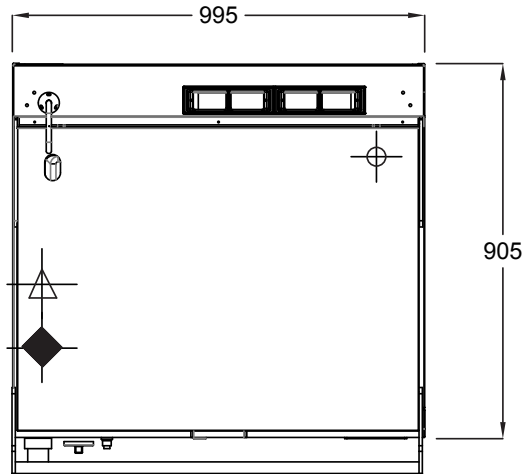
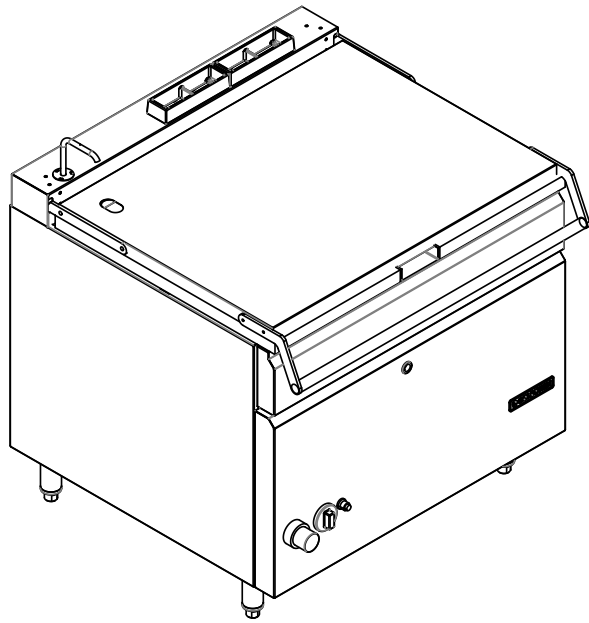
VIC - TAS - 47 Stubbs Street, Kensington VIC 3031
QLD - U12, 210 Queensport Rd Nth, Murarrie QLD 4172
WA - U2, 9 Meares Way, Canning Vale WA 6155, 08 9456 0559




HEAD OFFICE
AND MANUFACTURING PLANT
211-217 Woodpark Road, Smithfield NSW 2164

vl_2023



BPG85 BRATT PAN



-  3/4" BSP Gas Inlet
-  10 AMP/230V Plug with 3m Lead Cable
-  1/2" Quick Connect Water Inlet



BPG85 SPECIFICATIONS

Dimensions (WxDxH)	995 x 905 x 960 mm
Tank size (WxDxH)	895 x 670 x 190 mm
Nominal capacity	85 L

Gas connection	BSP 3/4" M
Rating NG/LPG	100 Mj
Electrical connection	10 AMP/230V Plug

INSTALLATION CLEARANCES (minimum)

Front	400 mm	Combustible Material Side	100 mm	Non-combustible Material Side	0 mm
Floor	150 mm	Combustible Material Rear	100 mm	Non-combustible Material Rear	0 mm

Please note, due to ongoing product development and improvement, we reserve the right to change product design and specification at any time without notice.



1800 013 123 | +61 2 9604 7333
sales@middleby.com.au
middleby.com.au

VIC - TAS - 47 Stubbs Street, Kensington VIC 3031
QLD - U12, 210 Queensport Rd Nth, Murarrie QLD 4172
WA - U2, 9 Meares Way, Canning Vale WA 6155, 08 9456 0559

HEAD OFFICE AND MANUFACTURING PLANT
211-217 Woodpark Road, Smithfield NSW 2164

v1_2023