



BPG65 BRATT PAN



BPG65 standard features and benefits

- Nominal capacity of 65 litre stainless steel pan
- Smooth stainless steel exterior
- Five powerful burners located in the base of the pan, together with 10 mm thick Duplex seamless stainless steel base provides improved heat retention, even heat and ease of cleaning
- Ergonomically designed counter balanced, screwless double skin lid with heavy duty lifting mechanism and drip zone at the back
- Simple high to low flame adjustable control
- Pan design with a rounded corners and no edges
- Wide opening for unloading and easy cleaning
- Pouring spout
- Heavy duty electronic tilt mechanism
- ¼ turn tap and fixed spout on top
- Battery operated spark ignition
- Safety gas cut off valve
- Pilot flame failure
- All components easily serviceable from the front
- All new sleek design

Standard accessories

- Adjustable legs 140-170 mm

Optional accessories part codes

| | |
|-------|--|
| | 50-300 °C thermostatic burner control |
| C2 | 100 mm castors set of 2 |
| C4 | 100 mm castors set of 4, 2 with brakes |
| CHAIN | for use with castors |



Please note, due to ongoing product development and improvement, we reserve the right to change product design and specification at any time without notice.



1800 013 123 | +61 2 9604 7333
sales@middleby.com.au
middleby.com.au

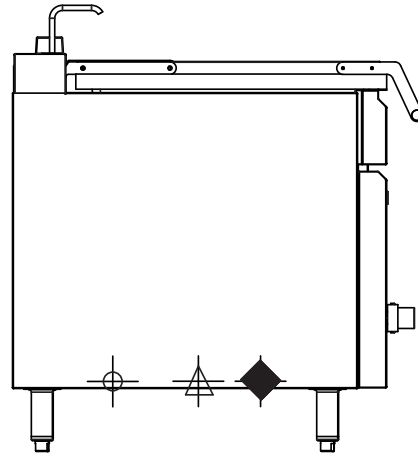
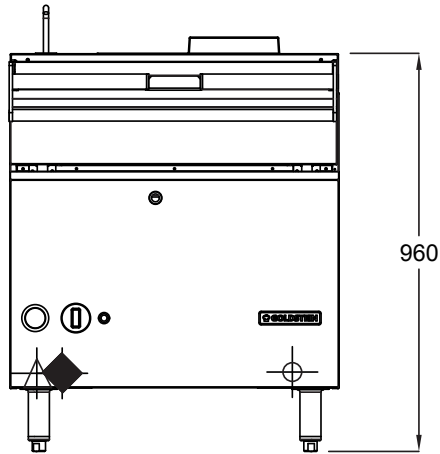
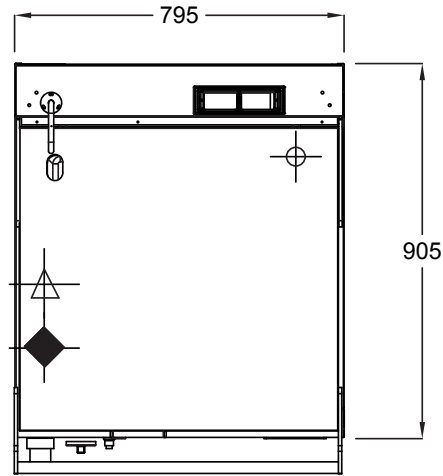
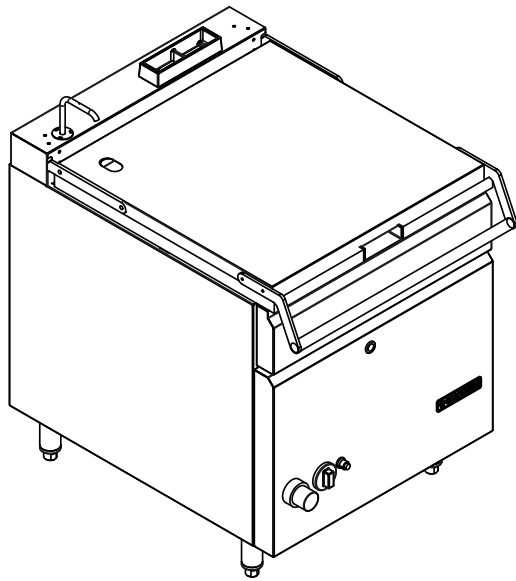
VIC - TAS - 47 Stubbs Street, Kensington VIC 3031
QLD - U12, 210 Queensport Rd Nth, Murarrie QLD 4172
WA - U2, 9 Meares Way, Canning Vale WA 6155, 08 9456 0559




HEAD OFFICE
AND MANUFACTURING PLANT
211-217 Woodpark Road, Smithfield NSW 2164

vl_2023



BPG65 BRATT PAN



-  3/4" BSP Gas Inlet
-  10 AMP/230V Plug with 3m Lead Cable
-  1/2" Quick Connect Water Inlet



BPG65 SPECIFICATIONS

| | |
|---------------------------|--------------------|
| Dimensions (WxDxH) | 795 x 905 x 960 mm |
| Tank size (WxDxH) | 690 x 670 x 190 mm |
| Nominal capacity | 65 L |

| | |
|------------------------------|------------------|
| Gas connection | BSP 3/4" M |
| Rating NG/LPG | 78 Mj |
| Electrical connection | 10 AMP/230V Plug |

INSTALLATION CLEARANCES (minimum)

| | | | | | |
|--------------|--------|----------------------------------|--------|--------------------------------------|------|
| Front | 400 mm | Combustible Material Side | 100 mm | Non-combustible Material Side | 0 mm |
| Floor | 150 mm | Combustible Material Rear | 100 mm | Non-combustible Material Rear | 0 mm |

Please note, due to ongoing product development and improvement, we reserve the right to change product design and specification at any time without notice.



1800 013 123 | +61 2 9604 7333
sales@middleby.com.au
middleby.com.au

VIC - TAS - 47 Stubbs Street, Kensington VIC 3031
QLD - U12, 210 Queensport Rd Nth, Murarrie QLD 4172
WA - U2, 9 Meares Way, Canning Vale WA 6155, 08 9456 0559

HEAD OFFICE AND MANUFACTURING PLANT
211-217 Woodpark Road, Smithfield NSW 2164

v1_2023