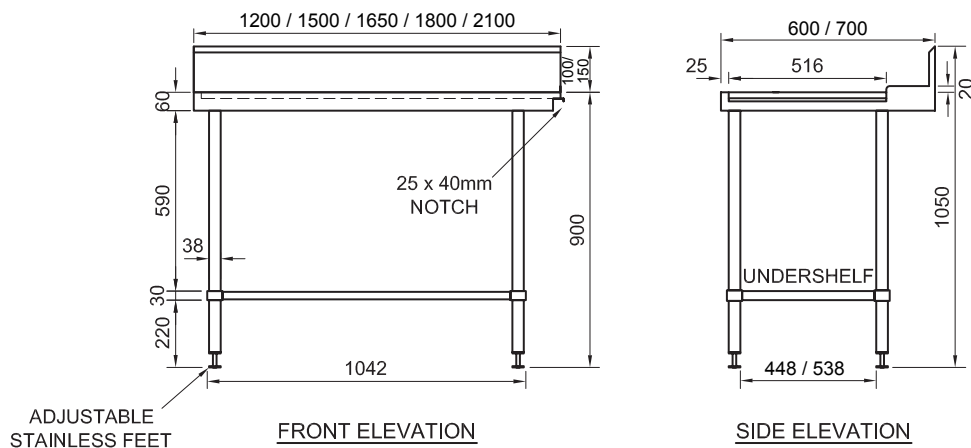


Product Information:

- Suits leading brands of popular commercial dishwashers in 600mm or 700mm depth
- 1.2mm thick 304 stainless steel top
- Stainless steel top hat stiffening
- 38mm diameter stainless steel tube legs, 1.2mm thick
- Adjustable stainless steel disk feet fitted as standard
- 1.2mm thick stainless steel under-shelf with top hat stiffening (not on SS37.600)
- 100mm splashback (600 series) or 150mm splashback with beveled edge (700 series)
- Vermin proofing included behind upstand with pre-drilled holes for fixing bench to rear wall
- Available left or right handed - please specify on order
- Supplied flat packed ready for assembly
- **NOTE:** Position of bench relative to wall may vary according to machine type and design, 600 long model has two legs only with no rear splashback & is supported by the dishwasher at the other end (see opposite page for more information)



General Drawing:



Specifications:

SS07.1200 (L, R)	1200mm x 600mm x 900mm
SS07.1500 (L, R)	1500mm x 600mm x 900mm
SS07.1650 (L, R)	1650mm x 600mm x 900mm
SS07.1800 (L, R)	1800mm x 600mm x 900mm
SS07.2100 (L, R)	2100mm x 600mm x 900mm
SS07.7.1200 (L, R)	1200mm x 700mm x 900mm
SS07.7.1500 (L, R)	1500mm x 700mm x 900mm
SS07.7.1650 (L, R)	1650mm x 700mm x 900mm
SS07.7.1800 (L, R)	1800mm x 700mm x 900mm
SS07.7.2100 (L, R)	2100mm x 700mm x 900mm

Due to continuous product research and development, the information contained herein is subject to change without notice.

Revision: A - 12/03/2021