



800 SERIES COOKTOP

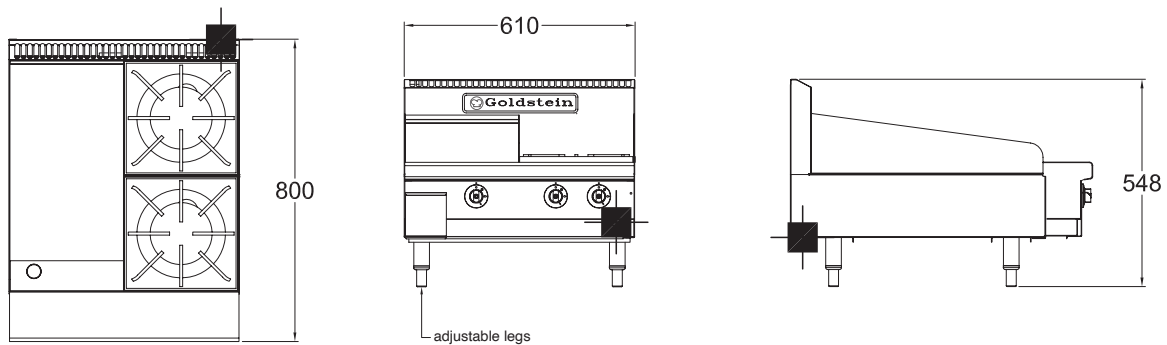
2 Burners, 305 mm Griddle

PFBI2G2 - Gas

- High performance even heat 24 Mj gas open burners and griddle options
- Pilot light standard maximising operating and energy efficiency
- Pilot flame failure on open burners
- Heavy duty removable, easy clean cast iron trivets
- Combination cooktops providing flexibility of configuration to suit any application
- Heavy duty fully welded steel body ensures rigidity and durability
- Stainless steel fascia and sides, spill zones and drip trays for ease of cleaning

Other options

Stand or bench mounted



PFBI2G2

SPECIFICATIONS

Dimensions (WxDxH)	610 x 800 x 548 mm
Working height	320 mm
Burners	2
Griddle size (WxH)	305 x 20 mm

3/4" BSP Gas Connection

Weight	70 kg
Packed	0.3 m ³
Gas Connection	3/4" BSP
Rating	68 MJ

Australia's premier food service equipment manufacturer

 **MIDDLEBY AUSTRALIA**

goldstein.com.au

211-217 Woodpark Road, Smithfield NSW 2164
1800 013 123 | +61 2 9604 7333

