



# 800 SERIES RANGES

## 500 mm Gas Oven

### PF24G20 – Gas

- 20 mm thick Mild steel plate assists with heat retention and even cooking
- Constant pilot flame as standard, maximises operating and energy efficiency
- Pilot flame failure on open burners, flame failure to oven burner
- Stainless steel fascia and sides, spill zone and drip trays for ease of cleaning
- Flexible modular cooktop design enables many combinations of Burners, Griddle and BBQ
- Static gas oven in gastronorm compatible sizes
- Ovens are fully insulated vitreous enamel for even heat and easy cleaning
- Heavy duty welded steel body for rigidity and durability

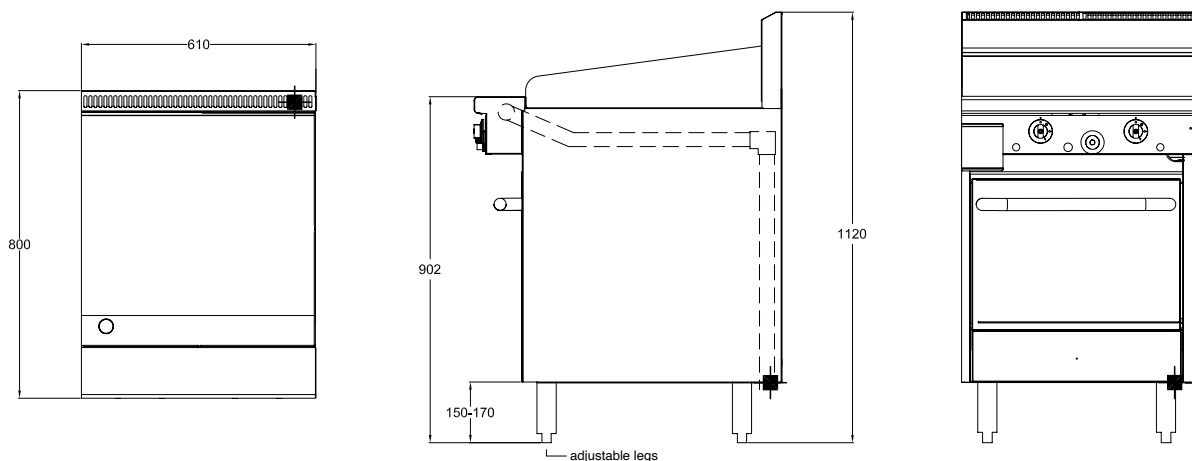
#### Other options

Gas fan forced oven

Electric static or electric fan forced oven with gas cooktop

Glass door to oven

Castors



### PF24G20 oven & griddle options

#### SPECIFICATIONS

<b>Dimensions (WxDxH)</b>	610 x 800 x 1120 mm
<b>Working height</b>	914 mm
<b>Oven Size (WxDxH)</b>	500 x 560 x 355 mm
<b>Griddle Size (WxH)</b>	610 x 20 mm

3/4" BSP Gas Connection

<b>Weight</b>	180 kg
<b>Packed</b>	0.7 m <sup>3</sup>
<b>Gas Connection</b>	3/4" BSP
<b>Rating</b>	60 MJ

Australia's premier food service  
equipment manufacturer

[middleby.com.au](http://middleby.com.au)

211-217 Woodpark Road, Smithfield NSW 2164  
1800 013 123 | +61 2 9604 7333

 **MIDDLEBY AUSTRALIA**

