

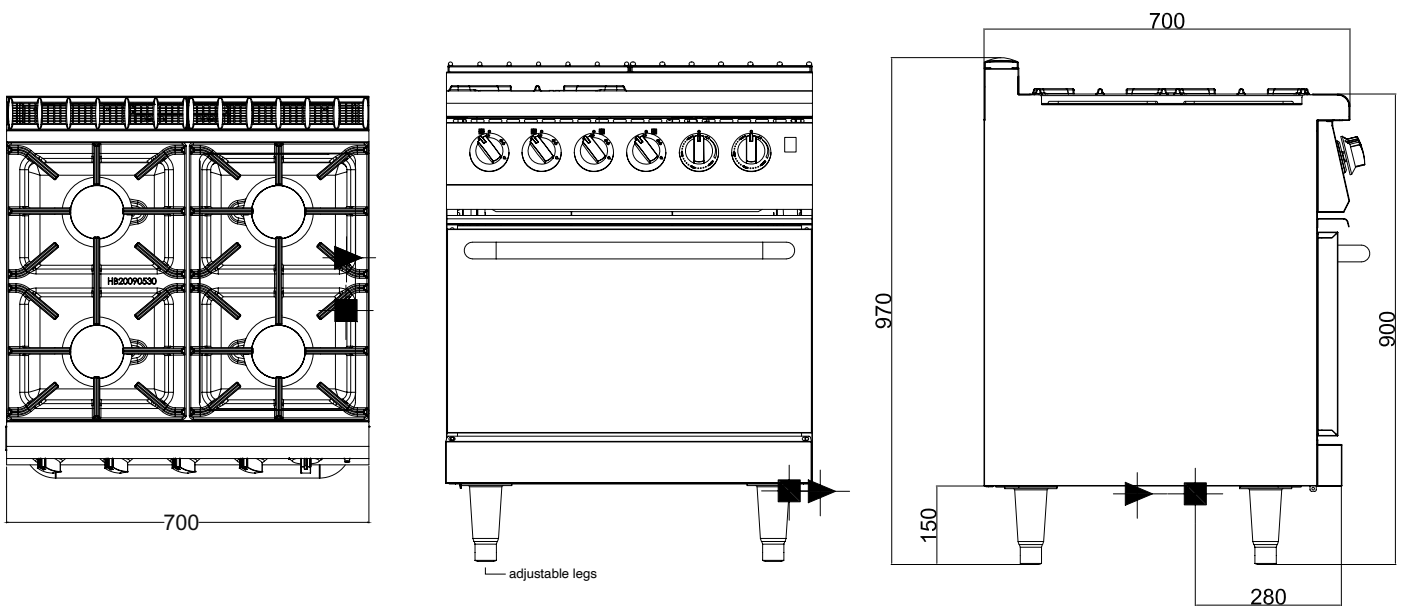


# 700 SERIES GOURMET RANGE

## 530 mm Fan Forced Electric Oven

### GR/GE710FF - Gas Burners, Electric Oven

- 3x high performance 18.5 MJ burners & 1x 12.9 MJ simmer burner
- Meets NSW Department of Education requirements
- Fully insulated gastronorm compatible oven
- Heavy duty, removable cast iron trivets and stainless steel spill pan
- Flame failure and standing pilots



### GR/GE710FF

#### SPECIFICATIONS

<b>Dimensions (WxDxH)</b>	700 x 700 x 970 mm
<b>Working height</b>	900 mm (±20 mm)
<b>Oven Size (WxDxH)</b>	530 x 500 x 290 mm
<b>Burners</b>	4

<b>Gas Connection</b>	3/4" BSP
<b>Electric Connection</b>	230V / 20 Amp
<b>Rating</b>	68.5 MJ / 4.8 kW
<b>Weight</b>	135 kg
<b>Packed</b>	0.7 m <sup>3</sup>

Australia's premier food service  
equipment manufacturer

[middleby.com.au](http://middleby.com.au)

211-217 Woodpark Road, Smithfield NSW 2164  
1800 013 123 | +61 2 9604 7333

 **MIDDLEBY AUSTRALIA**

