

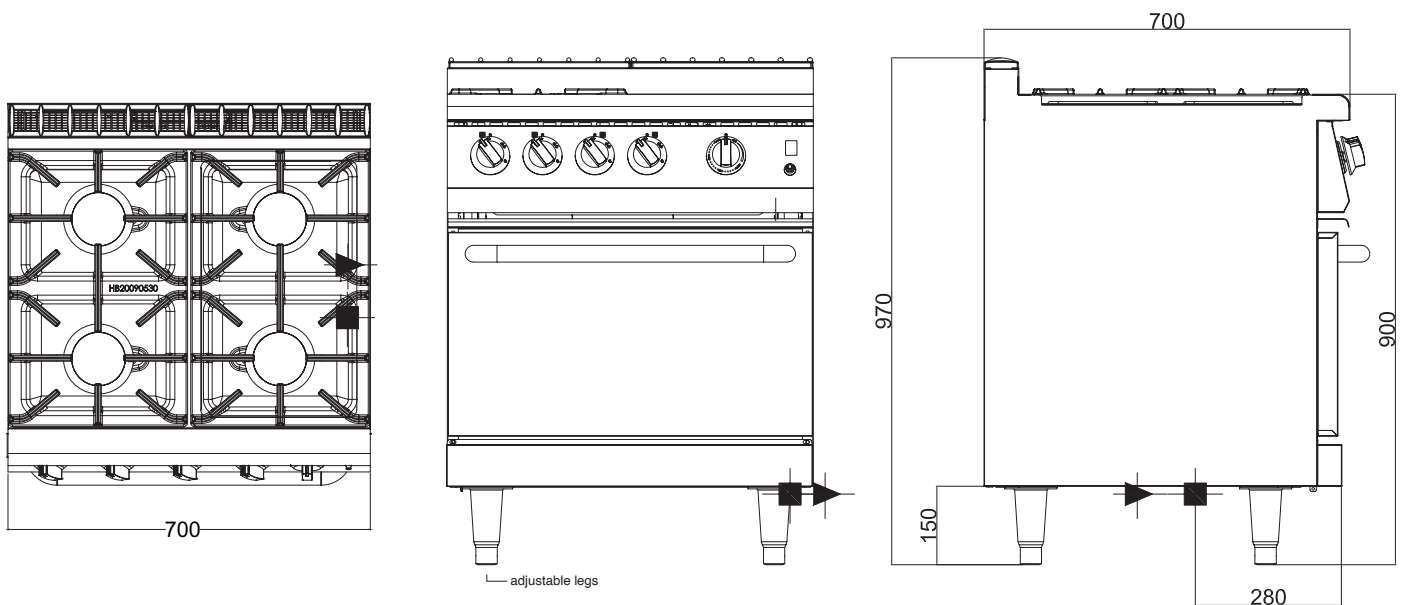


# 700 SERIES GOURMET RANGE

## 530 mm Fan Forced Gas Oven

### GR/G710FF – Gas

- 3 high performance 18 Mj burners & 112 Mj simmer burner
- Meets NSW Department of Education requirements
- Fully insulated gastronorm compatible oven
- Heavy duty, removable cast iron trivets and stainless steel spill pan
- Flame failure and standing pilots



### GR/G710FF

#### SPECIFICATIONS

<b>Dimensions (WxDxH)</b>	700 x 700 x 970 mm
<b>Working height</b>	900 mm (±20 mm)
<b>Oven Size (WxDxH)</b>	530 x 500 x 290 mm
<b>Burners</b>	4

- 3/4" BSP Gas Connection
- ▶ Single Phase, 10Amp

<b>Gas Connection</b>	3/4" BSP
<b>Electric Connection</b>	Single phase
<b>Rating</b>	94 Mj / 0.5 kW
<b>Weight</b>	135 kg
<b>Packed</b>	0.7 m <sup>3</sup>

Australia's premier food service  
equipment manufacturer

[goldstein.com.au](http://goldstein.com.au)

211-217 Woodpark Road, Smithfield NSW 2164  
1800 013 123 | +61 2 9604 7333

 **MIDDLEBY AUSTRALIA**

