

IM0250HDM | Modular 250kg Half-Dice Ice Machine

Ice Machines

IM0250HDM

**MODULAR 250KG
HALF-DICE ICE
MACHINE**

Stainless steel internal
and external construction
for corrosion resistance
and simple cleaning

Crystal-clear cubes offer
sterile cooling in a range
of applications



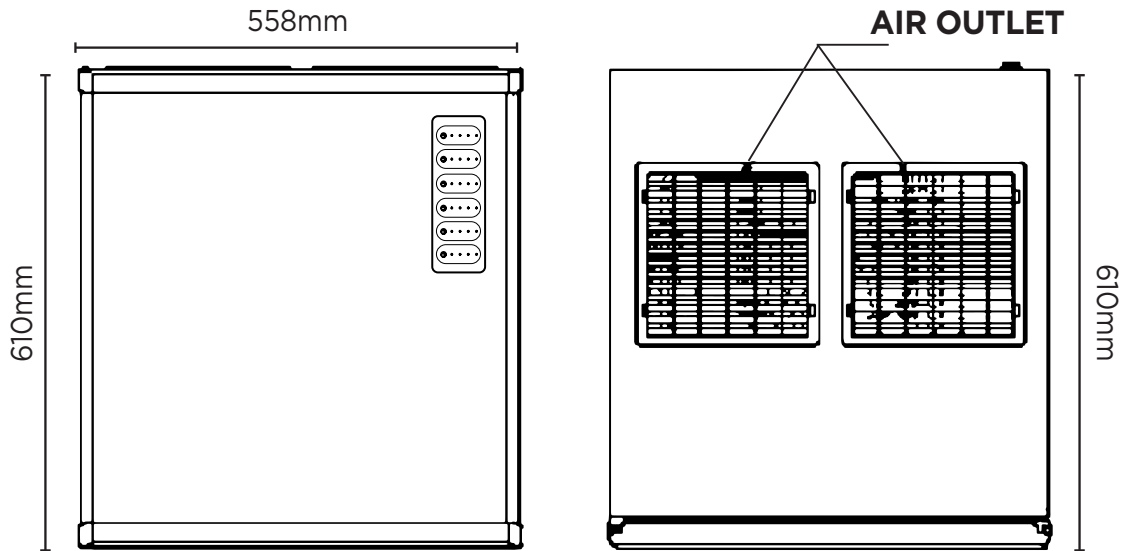
Cooling moves air through
vents to reduce horizontal or
vertical ventilation clearance

Agion®-treated
materials maintain
hygiene with
antimicrobial
technology



IM0250HDM | Modular 250kg Half-Dice Ice Machine

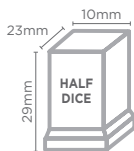
Ice Machines



Ice Dimensions



Dice Ice



SPECIFICATIONS

Model	IM0250HDM
Part Number	3935185
Legs (mm)	N/A
Maximum Daily Production	250kg
Storage Bin Capacity	N/A
Power Input	1200W
Energy Consumption	13.6kWh/24h
Water Consumption	1.4L/kg
Net Weight	65kg
Packaged Dimensions	620 x 680 x 800 mm
Refrigerant	R404a
Plug Supplied	Yes, 1 x 16A
Self-Contained Machine	No
Storage Bin Compatibility	SB129, SB178, SB243
Bin Top Required for Each Bin	Yes
Maximum Ambient Temp.	40°C
Type of Ice Produced	1/2 Dice
Weight of Ice	10g
Colour	Stainless Steel
Warranty	3 Years Parts, 1 Year Labour
Warranty Service	Bromic Extra Care

DIMENSIONS

	External (mm)
Width	558
Depth	610
Height	610

* External height excludes feet

* Production is based on kg/24hr at 10°C air & 10°C water

BROMIC PTY Ltd reserve the right to alter specifications without notice.