

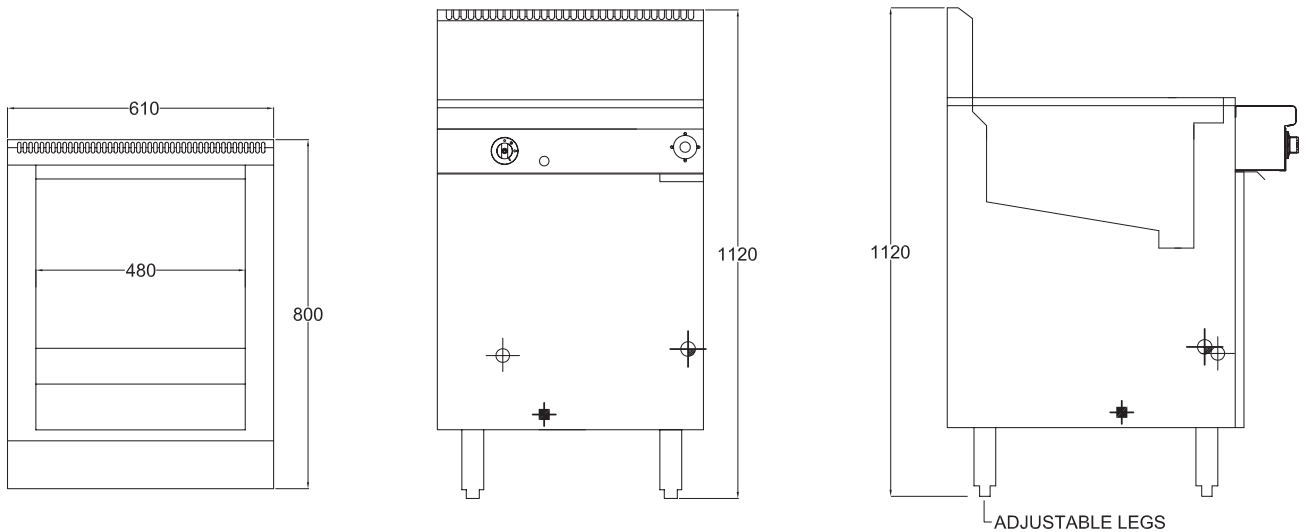


800 SERIES PASTA COOKER

3 large baskets / 9 portion baskets

FRG24PL - Gas

- Special grade Stainless Steel for maximum heat transfer and energy efficiency
- All Stainless Steel outer surfaces for easy cleaning and durability
- Complete with two bulk pasta baskets and six portion baskets and insert
- Manual fill



FRG24PL 3 large baskets / 9 portion baskets

SPECIFICATIONS

Dimensions (WxDxH)	610 x 800 x 1120 mm
Working height	900 mm
Baskets	3 large baskets 9 portion control baskets
Rating	80 MJ

Gas Connection	3/4" BSP
Water Connection	1/2" BSP
Drain Connection	1" BSP
Weight	90 kg
Packed	0.6 m ³

Australia's premier food service equipment manufacturer



goldstein.com.au

211-217 Woodpark Road, Smithfield NSW 2164
1800 013 123 | +61 2 9604 7333

