

## FEATURES

- Heavy duty constructed frame
- Heavy duty burners & standby pilots
- Flame failure
- American Robert Shaw valves & controls
- Stainless steel burners
- Constructed in 304 stainless steel
- ¼ inch pipe gas inlet
- 4 stainless steel screw on adjustable legs designed to sit on a bench
- Removal drip tray
- Manual controls
- Easy manual ignition to all burners
- Independent burner controls
- Heavy duty black matt trivets
- Available in NG & LPG
- Corrosion resistant & easy to maintain & keep clean
- Stands to suit all griddles available in stainless steel
- 2 years parts & labour warranty Australia wide

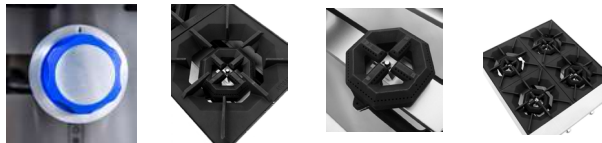
ATHP-12-2



ATHP-24-4



ATHP-36-6



INFORMATION	ATHP-12-2	ATHP-24-4	ATHP-36-6
Gas Type	NG/LPG	NG/LPG	NG/LPG
Gas Output per Burner Mj/h	23	23	23
Total power Output Mj/h(For even frying)	46	92	138
Dimensions(mm)	W308 x D700 x H332, 24.5kg	W610 x D700 x H332, 42.5kg	W910 x D700 x H332, 61kg
Packaging Dimensions(mm)	W380 x D760 x H425, 33.5kg	W680 x D760 x H425, 56.5kg	W980 x D760 x H425, 81.5kg



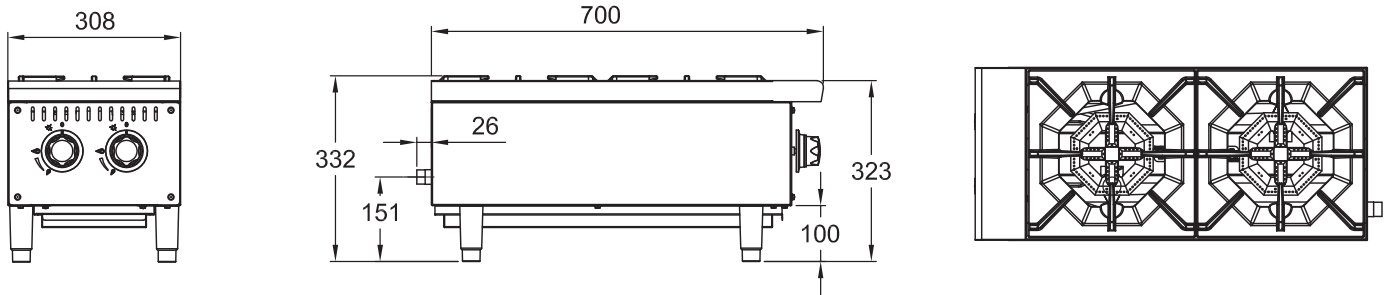
AUSTRALIA AND NEW ZEALAND  
GAS SAFETY CERTIFICATION  
SAI-400248 AS 4563:2004 SAI Global



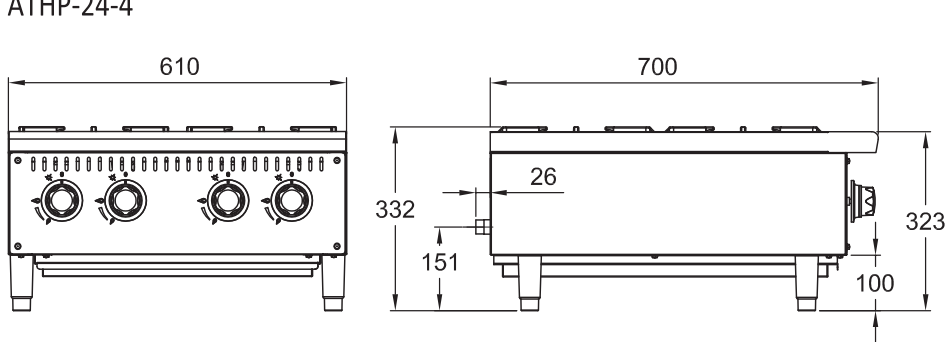
2 YEARS WARRANTY ON ALL PARTS & LABOUR  
\* EXTRA 2 YEARS WARRANTY ON PARTS WHEN YOU REGISTER WITH US ONLINE

# OPEN BURNER COOK TOPS

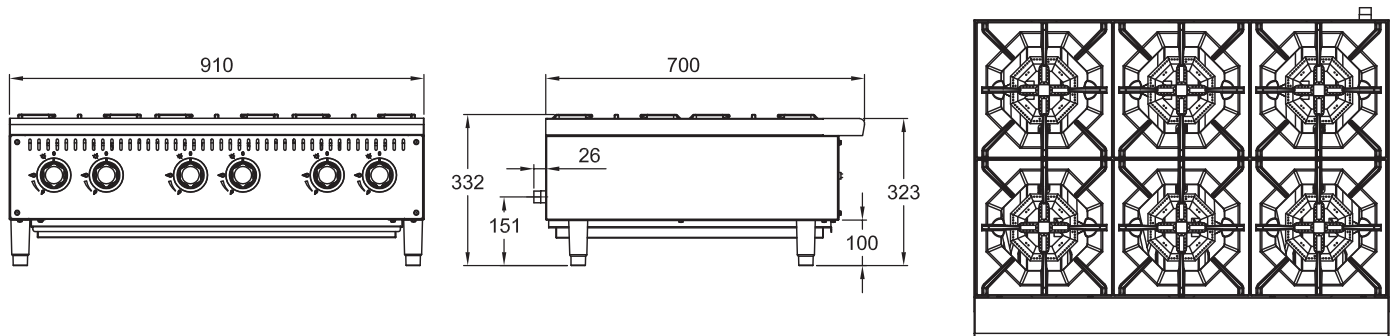
ATHP-12-2



ATHP-24-4



ATHP-36-6



AUSTRALIA AND NEW ZEALAND  
GAS SAFETY CERTIFICATION  
SAI-400248 AS 4563:2004 SAI Global



2 YEARS WARRANTY ON ALL PARTS & LABOUR  
\* EXTRA 2 YEARS WARRANTY ON PARTS WHEN YOU  
REGISTER WITH US ONLINE