

## FEATURES

- Available in curved & square glass
- 2 width size options
- Works from 2-8 degrees temp range
- Easy to maintain & clean
- Removable back doors
- Stainless steel wire shelving racks
- LED lights
- Showcase your products with maximum exposure
- Superb for installing on top of counters
- 2 Years parts & labour warranty



700mm: TY110L  
900mm: TY130L



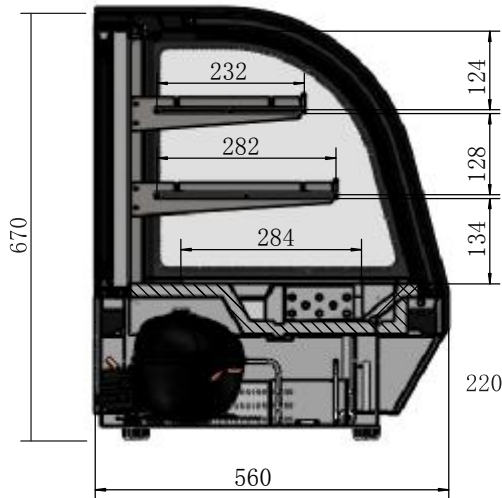
700mm: TF120L  
900mm: TF160L

INFORMATION	TY110L	TY130L	TF120L	TF160L
Capacity	110L	130L	120L	160L
Power	226W	242W	226W	242W
Voltage	220~240V/50Hz	220~240V/50Hz	220~240V/50Hz	220~240V/50Hz
Working Temp	+2~+8°C	+2~+8°C	+2~+8°C	+2~+8°C
Ambient Temp	43°C	43°C	43°C	43°C
Dimensions(mm)	W700 x D560 x H670,63kg	W900 x D560 x H670,70kg	W700 x D560 x H670,65kg	W900 x D560 x H670,75kg
Packaging Dimensions(mm)	W784 x D641 x H790,87kg	W984 x D641 x H790,94kg	W784 x D641 x H790,89kg	W984 x D641 x H790,99kg

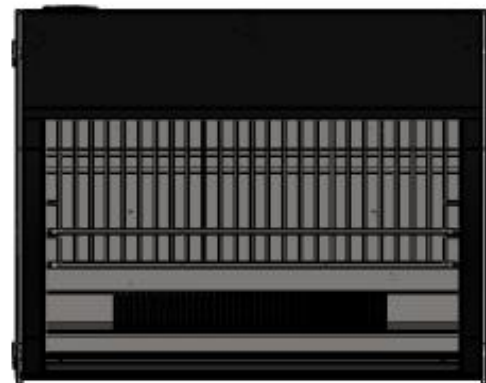
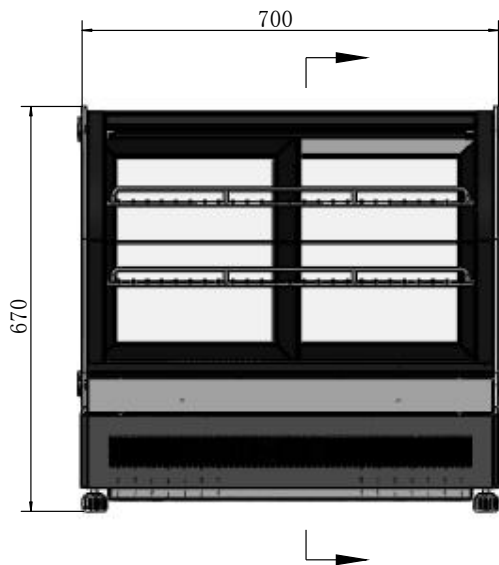
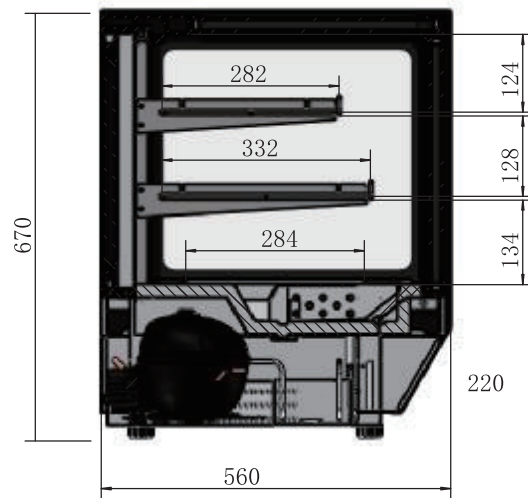


2 YEARS WARRANTY ON ALL PARTS & LABOUR  
\* EXTRA 2 YEARS WARRANTY ON PARTS WHEN YOU REGISTER WITH US ONLINE

TY110L/TY130L



TF120L/TF160L



CE MEPS



+



2 YEARS WARRANTY ON ALL PARTS & LABOUR  
\* EXTRA 2 YEARS WARRANTY ON PARTS WHEN YOU REGISTER WITH US ONLINE