

CombiSlim 1.06



SmartTouch® display



Standard display

COMBISLIM OVEN

6-tray combi oven (1/1 GN, 20/40 mm) or
 4-tray combi oven (1/1 GN, 60 mm)
 Electricity
 Injection steam
 SmartTouch® or Standard selection interface
 2-piece rack
 Temperature probe

STANDARD SPECIFICATIONS

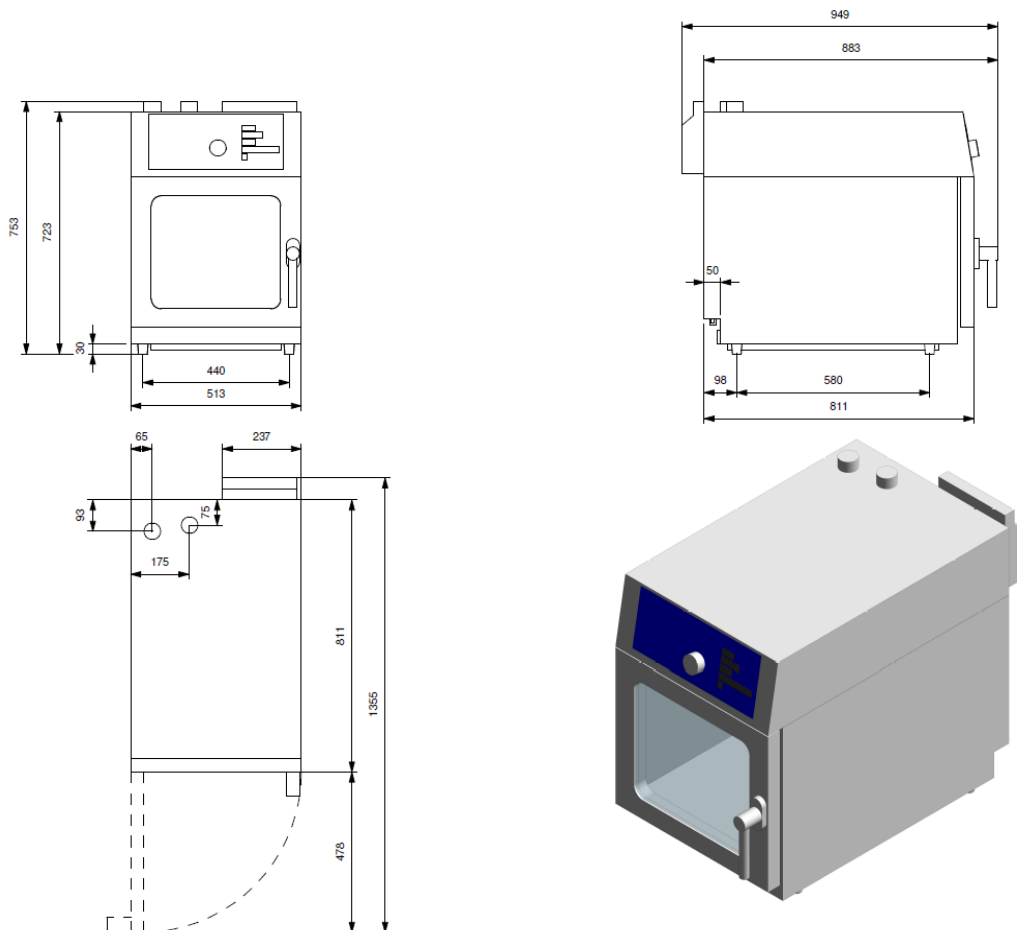
| | |
|-------------------|--------------------------------|
| Voltage | 3 NAC 400/415 V |
| Wattage | 8.4/9.2 kW |
| Power consumption | 14 A |
| Pre-fuse | According to local regulations |
| Water connection | 3/4", outside |
| Drain | Ø40 mm, outside |

DIMENSIONS & WEIGHT

| | |
|---------------------|--------------------------|
| Width | 513 mm |
| Height, table model | 753 mm |
| Height, with stand | 1565 mm |
| Depth, table model | 811 mm |
| Depth, with stand | 816 mm |
| Weight | 67 kg net / 82 kg packed |

ALTERNATIVE

| | |
|-------------------|--------------------------------|
| Voltage | 208/230/240 V AC 1N |
| Wattage | 6.9/8.4/9.2 kW |
| Power consumption | 39 A |
| Pre-fuse | According to local regulations |
| Water connection | 3/4", outside |
| Drain | Ø40 mm, outside |



Cooking modes for Touch and Standard models:

- Hot air (convection)
- Steaming
- Low-temperature steaming
- Forced steaming
- CombiSmart® humidity control, 10 steps
- Cook & Regen
- Proving, with automatic humidification
- Preheating
- Automatic cooling function
- Manual humidity pulsing
- Reversing, adjustable fan with 9 speeds

Additional cooking modes for Touch models:

- SmartChef®, automatic cooking
- Automatic humidity pulsing
- RackTimer® with up to 20 timers
- Cool-down function
- Delta-T
- Cook & Hold

Additional features for Touch and Standard models:

- Hand shower
- CombiWash® automatic cleaning system
- HOUNÖ PROTECT start kit

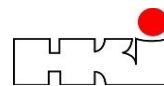
Standard features for Touch models:

- HOUNÖ PROTECT start kit
- Chef's recipe collection
- Baker's recipe collection
- Favourites selection
- HACCP quality control, 60 days in PDF format
- USB connection

Additional features for Touch models:

- Let's Cook Cloud Solution
- CombiWash® automatic cleaning system
- Hand shower
- Quick Select Recipes (QSR)
- Advanced RackTimer for tailored menu handling
- Keypad for temperature adjusting

Tested quality and safety:



FOR MORE INFORMATION, VISIT WWW.HOUNO.COM