

ActiveCore 2 Series

General Display



ActiveCore™
Advanced Refrigeration System



High Efficiency
Major Energy Savings



Full Warranty
ActiveCore™ Series

featuring



SKOPE-connect™
puts you in control



R290 Natural Refrigerant
a green choice



ActiveCore 2

the next generation of cool



Optimal energy efficiency

Low running costs

SKOPE ActiveCore 2 fridges are our most advanced series ever and continue to lead the market in energy efficiency, reliability and warranty.



R290 Natural Refrigerant
a green choice

Environmental sustainability

SKOPE uses R290 Natural Refrigerants in our latest product advancements because it is one of the most climate-friendly and cost effective refrigerants available.



SKOPE-connect™
puts you in control

Monitor and control fridges from your smartphone

SKOPE-connect is our app-based innovation that provides information and control so businesses can make better decisions. Door openings, energy use, temperature history, lighting, alarms and more can be reviewed on your smartphone or tablet.



ActiveCore™

A revolution in refrigeration technology

Our interchangeable cartridge system ensures quick easy servicing resulting in minimal business disruption. It provides maximum performance with minimal energy.



EZICLIP

Easy to use shelf clip and strip

SKOPE EZICLIP is a patented design enabling fast, efficient and accurate shelf set up and adjustment.

5 Year Warranty

ActiveCore™ Series



Full Warranty
ActiveCore™ Series

Our most advanced fridge series ever!
Now with a **5** year warranty on every model.

SKOPE Funding

Enjoy peace of mind with a tailored Ownership Plan



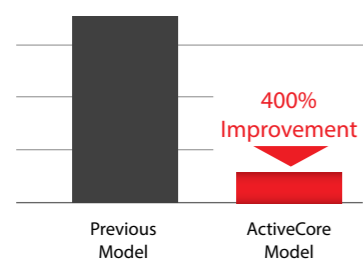
It's never been easier to stay ahead of the competition by using our latest SKOPE refrigeration and enjoy peace of mind with our ownership plan.

Advantages to your Business

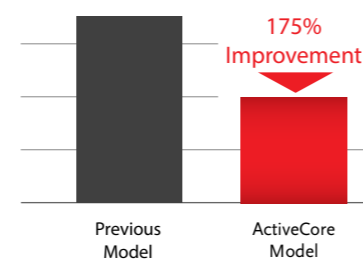
- 1 Interchangeable cartridge across 1, 2 & 3 door; top and bottom mount models
- 2 A more reliable system
- 3 Minimise your customer disruption
- 4 Exceptional whole of life value from your fridge
- 5 Peace of mind with a 5 year warranty protection

ActiveCore™ warranty vs previous model

Warranty - % of sales



Warranty - Cost per call



Own Me - Ownership Plan

- ✓ Free up cashflow
- ✓ Extend your warranty protection
- ✓ Annual planned maintenance included
- ✓ Flexible term, choice of 1, 2, 3, 4 or 5 years
- ✓ Affordable monthly payments
- ✓ No end of term balloon or residual payment
- ✓ Ownership at end of term
- ✓ Load your balance sheet and claim depreciation and GST

Quick & Easy Application



Online - application form
www.skope.com/funding

Email - skopelifunding@skope.com

Phone - speak to a SKOPE Funding team member
NZ 0800 947 5673 (opt. 4)
AUS 1800 121 535 (opt. 4)

A deposit is required which is equivalent to the GST of the equipment value (15% NZ, 10% AUS) along with the GST for the financial component of the plan. These GST payments are 100% claimable. One month's payment in advance is required to activate your plan. The Ownership plan is subject to terms and conditions contained in the SKOPE Funding Agreement.

Multi-Purpose Refrigeration General Display & Storage

Model Options

Fridges with ActiveCore technology reduce energy spend & widen the practical uses of the fridge – with an extensive range of options to choose from, a refrigeration solution can be created whatever the need.



ActiveCore 2 Series: 1, 2 & 3 door; top and bottom mount models

Features	TME-A	BME-A	SKT-A	SKB-A
	Top Mount	Bottom Mount	Top Mount	Bottom Mount
	TME650N-A 1 door	BME600N-A 1 door	SKT500X* 1 door	SKB600N-A 1 door
	TME1000N-A 2 door	BME1200N-A 2 door	SKT650N-A 1 door	SKB900N-A 2 door
	TME1500N-A 3 door	BME1500N-A 3 door	SKT1000N-A 2 door	SKB1200N-A 2 door
			SKT1500N-A 3 door	SKB1500N-A 3 door
Colour				
White / White - Exterior / Interior	●	●	●	●
Black / Black - Exterior / Interior		■	○	○
Black / White - Exterior / Interior		▲	○	○
Stainless steel			○	○
Selected Dulux Powdercoat colour			○	○
Door				
Glass (Double Low-E equivalent)	●	●	●	●
Solid			○	○
Tropical (heated glass)			○**	○**
Gen-3 Series look (Double Low-E)			○	
Locks				
Tab locks	●	●	●	●
Barrel key door locks			○	○
Shelving				
Additional shelves	○	○	○	○
Gravity feed matting	○	○	○	○
Sign				
No sign		●		●
Sign panel	●		●	
Lit sign (AC models)	○***	○***	○	○
Internal lights				
Side	●	●	●	●
Shelf			○	○
Remote unit				
Remote unit			○	○

● Standard ○ Option ■ BME1200N-A only ▲ BME600N-AC & BME1200N-AC only (lit sign models)

* Note: this model does not include ActiveCore cartridge

** Tropical doors not available on 3 door ActiveCore 2 models

***Subject to availability, otherwise refer SKB, SKT series

ActiveCore™ 2 Series TME

General Display

Upright fridges
Top mount design

Display and store food, drinks, and perishables, including flowers, chocolates, and wine.

Significantly reduce your refrigeration power bill and save money with ultra-energy efficient ActiveCore technology. These spacious fridges are cooler, quieter, and built to last for busy food service and commercial kitchens.



TME650N-A & TME650N-AC



TME1000N-A & TME1000N-AC



TME1500N-A & TME1500N-AC

Standard Finish: White only

Standard models: 1, 2 & 3 glass door (AC models subject to availability)



SKOPE-connect™



R290 natural refrigerant

Own Me - Use our SKOPE Funding online calculator by visiting skope.com/funding



Restaurants / Cafés



Quick Service
Restaurants



Clubs / Pubs / Bars



Hospitality Venues



Accommodation



Medical / Aged Care



Schools



Convenience Stores

Quick Guide

- Premium build quality
- Display & store - food, drinks & perishables
- ActiveCore™ technology
- Market leading energy efficiency
- SKOPE Connected controller
- R290 Natural Refrigerant with minimal environmental impact
- Monitor & control with the SKOPE-connect™ app
- Solid & tropical door options - see SKT series
- Full colour options - see SKT series
- Remote available - see SKT series
- Customisable - see SKT series

Standard Features

Benefits

ActiveCore™ cartridge system	Interchangeable & easy servicing - same cartridge used across all models
Premium energy efficient glass	Double Low-E equivalent
Frameless glass door design	Modern appealing look
SKOPE patented EZI-CLIP	Quick shelf set up & adjustment
Bright LED lighting	Showcasing products inside
Door lock tabs	Extra security
Sign panel	Branding opportunities
Slotted back panel	Chilled air directly onto products
Optimal airflow design	Minimal internal temperature variations
Low noise fan system	Quiet operation

Options

- Lit sign (AC model) - subject to availability, otherwise see SKT series
- Extra shelf & slides/clips
- Gravity feed shelving
- Door hinge kit (1 door models only)



Full Warranty
ActiveCore™ Series



High Efficiency
Major Energy Savings



Compliance
Independently Verified



Food Safe
Keeps food below 5°C

ActiveCore™ 2 Series

TME - Top Mount

Cabinet

Doors	Glass
Cabinet construction	Powdercoated steel
Shelves	Plastic coated wire
Breathes from/Expels to	Upper front/Upper rear
Sign	Sign panel - Lit Sign on AC models if available
Lighting	LED module - 1 per door
Controller	Electronic with SKOPE-connect™
Connectivity	Via Bluetooth
Removable ActiveCore cartridge	Yes

Performance

Temperature Range	Food Safe: 1°C to 4°C (adjustable via SKOPE-connect 1°C to 15°C)
Maximum ambient temperature	43°C (40°C if fridge is built in)
MEPS Category	M1 Food & Drinks
High efficiency model	Yes

Refrigeration

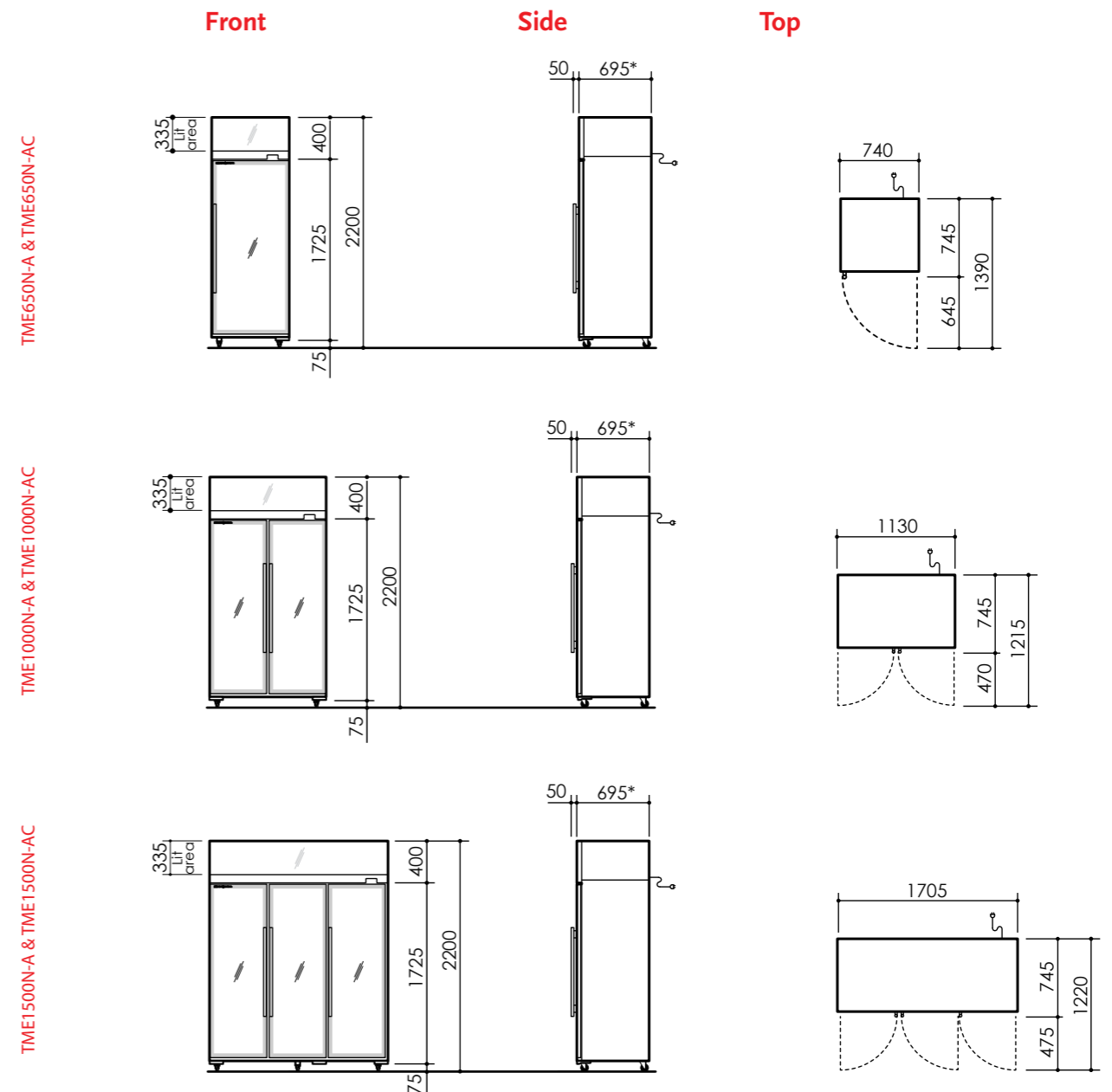
System	ActiveCore™ cartridge - removable unit, top mounted, self contained
Refrigerant	R290 Natural Refrigerant
Drainage	No plumbing required

Electrical

Climate class	5 (40°C/40% RH)
Power Supply	220-240 Volts a.c. 50Hz, single phase supply
Plug	10 Amp 3 pin & 2.3m cable (where applicable cabinets are supplied with correct regional plug types)
Light switch on controller	Yes

Specifications

Model ID	Doors	Sign Type	External Dimensions (W x D x H mm)	Total Floor Area (m ²)	Weight (kg)	Gross Internal Volume (litres)	Total Display Area (m ²)	Adjustable Shelves (No.)	Adjustable Shelves Size (wide x deep mm)	Total Shelf Area (m ²)	Product Facings (600ml PET)	TEC kWh/24h @ Climate Class 3	Refrigerant / Charge	Current Draw (Amps)	Electrical Capacity (kW)
TME650N-A	1	Sign panel	740 x 745 x 2200	0.55	170	610	0.75	5	625 x 470	1.46	40	2.57	R290 / 99g	2.9	0.74
TME650N-AC	1	Lit sign	740 x 745 x 2200	0.55	170	610	0.75	5	625 x 470	1.46	40	2.67	R290 / 99g	2.9	0.74
TME1000N-A	2	Sign panel	1130 x 745 x 2200	0.84	225	980	1.08	5	1015 x 470	2.35	70	3.57	R290 / 99g	3.0	0.74
TME1000N-AC	2	Lit sign	1130 x 745 x 2200	0.84	225	980	1.08	10	500 x 470	2.35	70	3.72	R290 / 99g	3.0	0.74
TME-1500N-A	3	Sign panel	1705 x 745 x 2200	1.27	320	1497	1.67	15	500 x 470 (side), 570 x 470 (middle)	3.69	110	5.71	R290 / 99g	3.4	0.74
TME1500N-AC	3	Lit sign	1705 x 745 x 2200	1.27	320	1497	1.67	15	500 x 470 (side), 570 x 470 (middle)	3.69	110	5.98	R290 / 99g	3.4	0.74



ActiveCore™ 2 Series BME

General Display

Upright fridges

Bottom mount design

Display and store food, drinks, and perishables, including flowers, chocolates, and wine.

Significantly reduce your refrigeration power bills and save money with ultra-energy efficient ActiveCore technology. These spacious fridges are cooler, quieter, and built to last for busy food service and commercial kitchens.



BME600N-A & BME600N-AC



BME1200N-A & BME1200N-AC



BME1500N-A & BME1500N-AC

Standard Finish: White only

Standard models: 1, 2 & 3 glass door (AC models subject to availability)



SKOPE-connect™



R290 natural refrigerant

Own Me - Use our SKOPE Funding online calculator by visiting skope.com/funding



Restaurants / Cafés



Quick Service Restaurants



Clubs / Pubs / Bars



Hospitality Venues



Accommodation



Medical / Aged Care



Schools



Convenience Stores

Quick Guide

- ✓ Premium build quality
- ✓ Display & store - food, drinks & perishables
- ✓ ActiveCore™ technology
- ✓ Market leading energy efficiency
- ✓ SKOPE Connected controller
- ✓ R290 Natural Refrigerant with minimal environmental impact
- ✓ Monitor & control with the SKOPE-connect™ app
- ⊖ Solid & tropical door options - see SKB series
- ⊖ Full colour options - see SKB series
- ⊖ Remote available - see SKB series
- ⊖ Customisable - see SKB series

Standard Features

Benefits

ActiveCore™ cartridge system	Interchangeable & easy servicing - same cartridge used across all models
Premium energy efficient glass	Double Low-E equivalent
Frameless glass door design	Modern appealing look
SKOPE patented EZI-CLIP	Quick shelf set up & adjustment
Bright LED lighting	Showcasing products inside
Door lock tabs	Extra security
Slotted back panel	Chilled air directly onto products
Optimal airflow design	Minimal internal temperature variations
Low noise fan system	Quiet operation

Options

- Lit sign (AC model) - subject to availability, otherwise see SKB series
- Extra shelf & slides/clips
- Gravity feed shelving
- Door hinge kit (1 door models only)



Full Warranty
ActiveCore™ Series



High Efficiency
Major Energy Savings



Compliance
Independently Verified



Food Safe
Keeps food below 5°C

ActiveCore™ 2 Series

BME - Bottom Mount

Cabinet

Doors	Glass
Cabinet construction	Powdercoated steel
Shelves	Plastic coated wire, bottom stainless steel fixed shelf
Breathes from/Expels to	Lower front/Lower rear
Sign	Sign panel - Lit Sign on AC models if available
Lighting	LED module - 1 per door
Controller	Electronic with SKOPE-connect™
Connectivity	Via Bluetooth
Removable ActiveCore cartridge	Yes

Performance

Temperature Range	Food Safe: 1°C to 4°C (adjustable via SKOPE-connect 1°C to 15°C)
Maximum ambient temperature	43°C (40°C if fridge is built in)
MEPS Category	M1 Food & Drinks
High efficiency model	Yes

Refrigeration

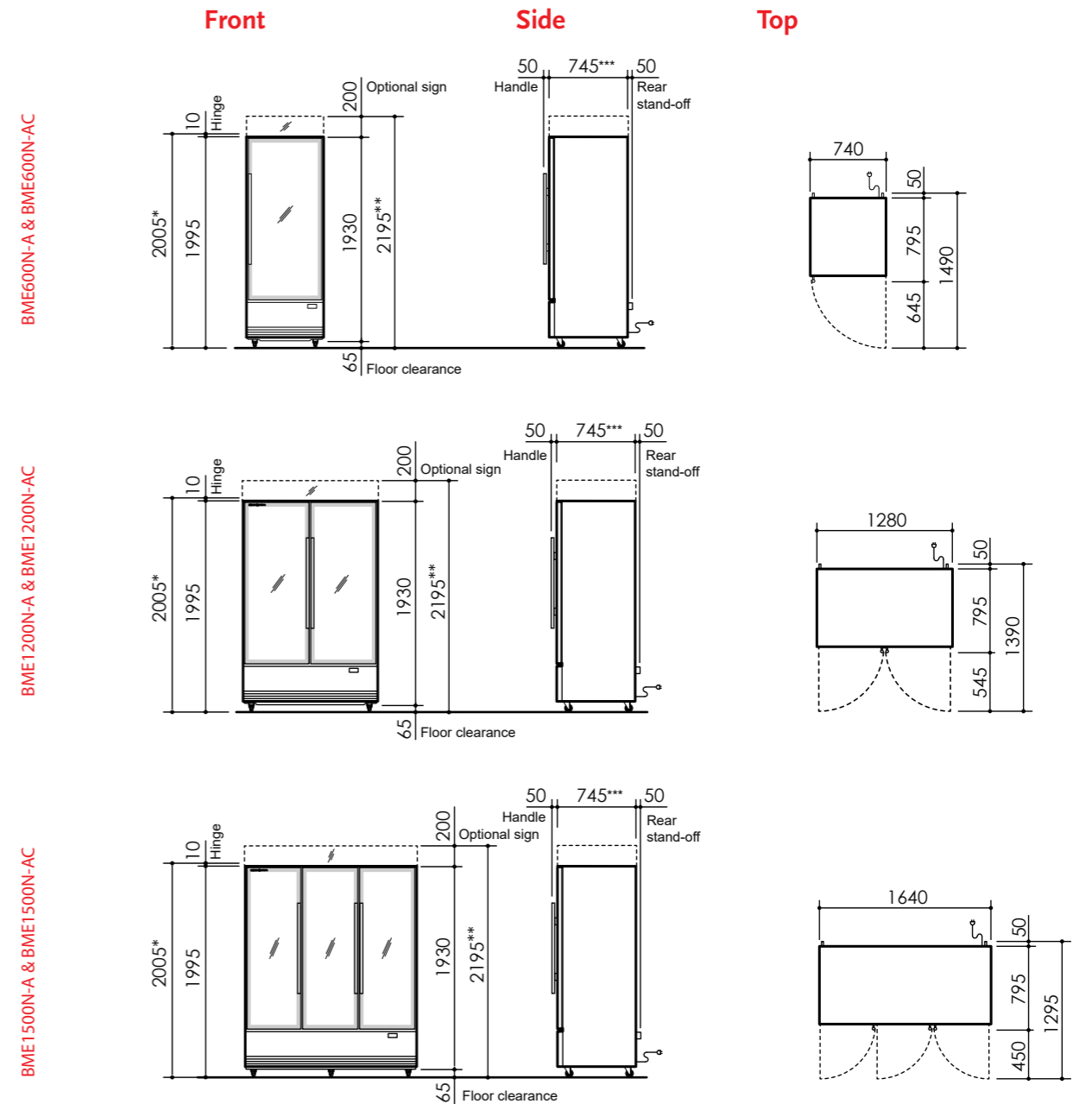
System	ActiveCore™ cartridge - removable unit, bottom mounted, self contained
Refrigerant	
Drainage	R290 Natural Refrigerant No plumbing required

Electrical

Climate class	
Power Supply	5 (40°C/40% RH)
Plug	220-240 Volts a.c. 50Hz, single phase supply
Light switch on controller	10 Amp 3 pin & 2.3m cable (where applicable cabinets are supplied with correct regional plug types) Yes

Specifications

Model ID	Doors	Door Type	Sign Type	External Dimensions (W x D x H mm)	Total Floor Area (m ²)	Weight (kg)	Gross Internal Volume (litres)	Total Display Area (m ²)	Adjustable Shelves (No.)	Adjustable Shelves Size (wide x deep mm)	Total Shelf Area (m ²)	Product Facings (600ml PET)	TEC kWh/24h @ Climate Class 3	Refrigerant / Charge	Current Draw (Amps)	Electrical Capacity (kW)
BME600N-A	1	Glass	No sign	740 x 795 x 2005	0.63	185	584	0.7	5	625 x 520	1.46	45	2.17	R290 / 99g	2.9	0.74
BME600N-AC	1	Glass	Lit sign	740 x 795 x 2195	0.63	185	584	0.7	5	625 x 520	1.46	45	2.29	R290 / 99g	2.9	0.74
BME1200N-A	2	Glass	No sign	1280 x 795 x 2005	1.08	245	1079	1.19	10	577 x 520	2.35	80	3.36	R290 / 99g	3.0	0.74
BME1200N-AC	2	Glass	Lit sign	1280 x 795 x 2195	1.08	245	1079	1.19	10	577 x 520	2.35	80	3.57	R290 / 99g	3.0	0.74
BME1500N-A	3	Glass	No sign	1640 x 795 x 2005	1.34	330	1433	1.52	15	490 x 520 (side), 540 x 520 (outside)	3.69	95	5.08	R290 / 99g	3.4	0.74
BME1500N-AC	3	Glass	Lit sign	1640 x 795 x 2195	1.34	330	1433	1.52	15	490 x 520 (side), 540 x 520 (outside)	3.69	95	5.32	R290 / 99g	3.4	0.74



ActiveCore™ 2 Series SKT

General Display

Upright fridges
Top mount design

Display and store food, drinks, and perishables, including flowers, chocolates, and wine.

All the great benefits of ultra-energy efficient ActiveCore technology, combined with lots of options not available in the standard TME and BME ranges. Customise your fridges perfectly to your space and enjoy quieter, cooler, cheaper refrigeration.



SKT500X*

SKT650N-A & SKT650N-AC

SKT1000N-A & SKT1000N-AC

SKT1500N-A & SKT1500N-AC

Standard finishes: White, black, selected Dulux Powdercoat colour (exterior & interior colour combinations) & Stainless steel (exterior & interior)
Standard models: 1, 2 & 3 glass door

*Does not contain ActiveCore cartridge



SKOPE-connect™



R290 natural refrigerant

Own Me - Use our SKOPE Funding online calculator by visiting skope.com/funding



Restaurants / Cafés



Quick Service Restaurants



Clubs / Pubs / Bars



Hospitality Venues



Accommodation



Medical / Aged Care



Schools



Convenience Stores

Quick Guide

- ✓ Premium build quality
- ✓ Display & store - food, drinks & perishables
- ✓ ActiveCore™ technology
- ✓ Market leading energy efficiency
- ✓ SKOPE Connected controller
- ✓ R290 Natural Refrigerant with minimal environmental impact
- ✓ Monitor & control with the SKOPE-connect™ app
- ✓ Solid & tropical door options*
- ✓ Full colour options
- ✓ Remote available*
- ✓ Customisable

Standard Features

Benefits

ActiveCore™ cartridge system	Interchangeable & easy servicing - same cartridge used across all models
Premium energy efficient glass	Double Low-E equivalent
Frameless glass door design	Modern appealing look
SKOPE patented EZI-CLIP	Quick shelf set up & adjustment
Bright LED lighting	Showcasing products inside
Door lock tabs	Extra security
Sign panel	Branding opportunities
Slotted back panel	Chilled air directly onto products
Optimal airflow design	Minimal internal temperature variations
Low noise fan system	Quiet operation

Options

- Stainless steel finish
- Full powdercoat colour range
- Remote
- Tropical heated glass
- Solid door
- Gen-3 series look (double Low-E Argon)
- Barrel key locks
- Lit sign (AC models)
- Extra shelf & slides/clips
- Internal LED lighting (solid door)
- Gravity feed shelving
- Internal shelf lights
- Stainless steel punched shelves
- Door hinge kit (1 door models only)

*ActiveCore 2 features not available for all models



Full Warranty
ActiveCore™ Series



High Efficiency
Major Energy Savings



Compliance
Independently Verified



Food Safe
Keeps food below 5°C

ActiveCore™ 2 Series

SKT - Top Mount

Cabinet

Glass Doors (standard)	Self closing, double glazed, single Low-E, argon filled, toughened safety glass, lockable, swing
Tropical Doors (optional)	Heated, self closing, reversible, double glazed, single Low-E, argon filled, toughened safety glass, lockable, swing
Solid Doors (optional)	Stainless or Powdercoated Steel, foamed, self closing, lockable, swing
Cabinet construction	Powdercoated Steel
Shelves	Plastic coated wire
Breathes from/Expels to	Upper front/Upper rear
Lighting	LED Module - 1 per door
Controller	Electronic with SKOPE- connect™
Connectivity	Via Bluetooth
Removeable ActiveCore cartridge	Yes (excluding SKT500X)

Performance

Temperature Range	Food Safe: 1°C to 4°C (adjustable via SKOPE-connect 1°C to 15°C)
Maximum ambient temperature	43°C (40°C if fridge is built in)
MEPS Category	M1 Food & Drinks
High efficiency model	Yes

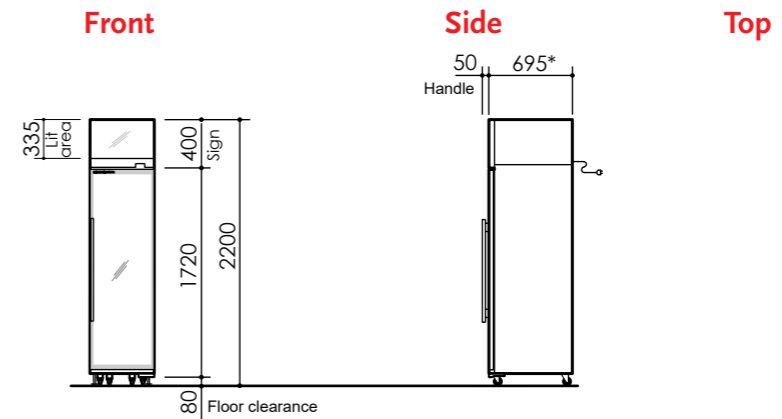
Refrigeration

System	ActiveCore cartridge- removable unit, top mounted, self contained
Refrigerant	R290 Natural Refrigerant (exl. SKT500X, remote, 3 door tropical models)
Drainage	No plumbing required

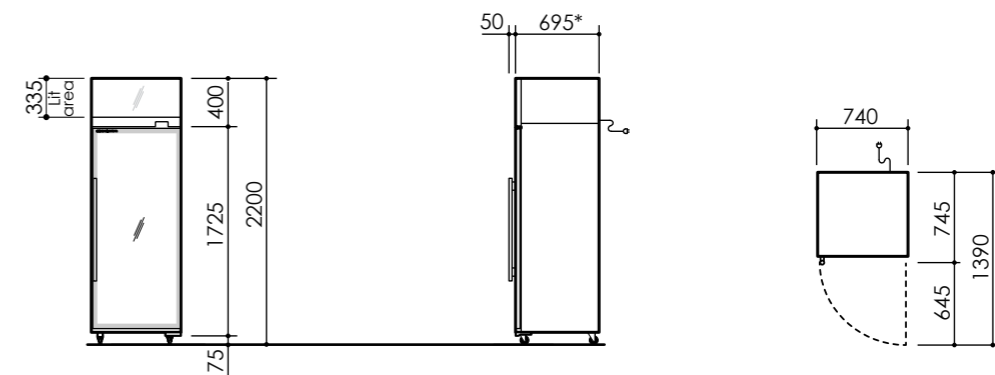
Electrical

Climate Class rating	5 (40°C/40% RH)
Power Supply	220-240 Volts a.c 50 Hz single phase supply
Plug	10 Amp 3 pin & 2.3m cable (where applicable cabinets are supplied with correct regional plug types)
Light switch on controller	Yes

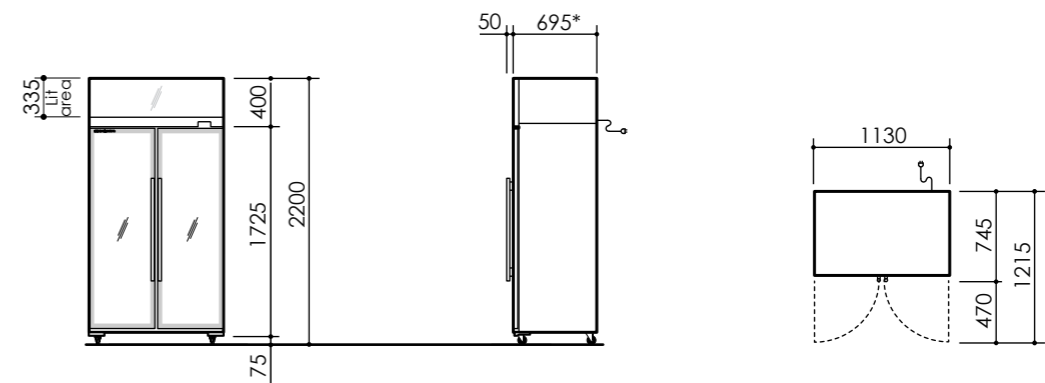
SKT500-X*



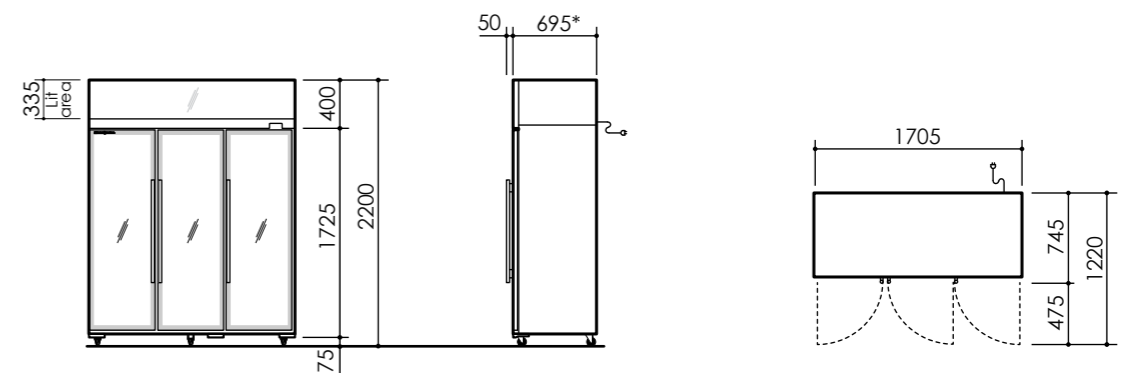
SKT650N-A & SKT650N-AC



SKT1000N-A & SKT1000N-AC



SKT1500N-A & SKT1500N-AC



ActiveCore™ 2 Series

SKT - Top Mount

Specifications

Model ID	Doors	Door Type	Sign Type	External Dimensions (W x D x H mm)	Total Floor Area (m2)	Weight (kg)	Gross Internal Volume (litres)	Total Display Area (m²)	Adjustable Shelves (No.)	Adjustable Shelves Size (wide x deep mm)	Total Shelf Area (m2)	Product Facings (600ml PET)	TEC kWh/24h @ Climate Class 3	Refrigerant/ Charge	Current Draw (Amps)	Electrical Capacity (kW)
SKT500XW	1	Glass	Sign panel	570 x 745 x 2200	0.43	140	445	0.527	5	445 x 470	1.06	30	3.13	R134a / 370g	3.0	0.58
SKT500XW-AC	1	Glass	Lit sign	570 x 745 x 2200	0.43	140	445	0.527	5	445 x 470	1.06	30	-	R134a / 370g	3.0	0.58
SKT500XWT	1	Tropical	Sign panel	570 x 745 x 2200	0.43	140	445	0.527	5	445 x 470	1.06	30	-	R134a / 370g	3.5	0.58
SKT500XWT-AC	1	Tropical	Lit sign	570 x 745 x 2200	0.43	140	445	0.527	5	445 x 470	1.06	30	-	R134a / 370g	3.5	0.58
SKT500W-3	1	Gen-3	Lit sign	570 x 745 x 2205	0.41	140	445	0.527	5	445 x 470	1.06	30	-	R134a / 370g	3.0	0.58
SKT650N-A	1	Glass	Sign panel	740 x 745 x 2200	0.55	170	610	0.75	5	625 x 470	1.47	40	2.57	R290 / 99g	2.9	0.74
SKT650N-AC	1	Glass	Lit sign	740 x 745 x 2200	0.55	170	610	0.75	5	625 x 470	1.47	40	2.67	R290 / 99g	2.9	0.74
SKT650NT-A	1	Tropical	Sign panel	740 x 745 x 2200	0.55	170	610	0.75	5	625 x 470	1.47	40	-	R290 / 99g	4.5	0.74
SKT650NT-AC	1	Tropical	Lit sign	740 x 745 x 2200	0.55	170	610	0.75	5	625 x 470	1.47	40	-	R290 / 99g	4.5	0.74
SKT650NS-A	1	Solid	Sign panel	740 x 745 x 2200	0.55	170	610	0.75	5	625 x 470	1.47	40	-	R290 / 99g	2.9	0.74
SKT1000N-A	2	Glass	Sign panel	1130 x 745 x 2200	0.84	225	980	1.08	10	500 x 470	2.86	70	3.57	R290 / 99g	3.0	0.74
SKT1000N-AC	2	Glass	Lit sign	1130 x 745 x 2200	0.84	225	980	1.08	10	500 x 470	2.86	70	3.72	R290 / 99g	3.0	0.74
SKT1000NT-A	2	Tropical	Sign panel	1130 x 745 x 2200	0.84	225	980	1.08	10	500 x 470	2.86	70	-	R290 / 99g	6.0	0.74
SKT1000NT-AC	2	Tropical	Lit sign	1130 x 745 x 2200	0.84	225	980	1.08	10	500 x 470	2.86	70	-	R290 / 99g	6.0	0.74
SKT1000NS-A	2	Solid	Sign panel	1130 x 745 x 2200	0.84	225	980	1.08	10	500 x 470	2.86	70	-	R290 / 99g	3.0	0.74
SKT1500N-A	3	Glass	Sign panel	1705 x 745 x 2200	1.27	320	1497	1.67	15	500 x 470	4.38	110	5.71	R290 / 99g	3.4	0.74
SKT1500N-AC	3	Glass	Lit sign	1705 x 745 x 2200	1.27	320	1497	1.67	15	500 x 470	4.38	110	5.98	R290 / 99g	3.4	0.74
SKT1500NS-A	3	Solid	Sign panel	1705 x 745 x 2200	1.27	320	1497	1.67	15	500 x 470	4.38	110	-	R290 / 99g	3.4	0.74

ActiveCore™ 2 Series SKB

General Display

Upright fridges

Bottom mount design

Display and store food, drinks, and perishables, including flowers, chocolates, and wine.

All the great benefits of ultra-energy efficient ActiveCore technology, combined with lots of options not available in the standard TME and BME ranges. Customise your fridges perfectly to your space and enjoy quieter, cooler, cheaper refrigeration.



SKB600N-A & SKB600N-AC

SKB900N-A & SKB900N-AC

SKB1200N-A & SKB1200N-AC

SKB1500N-A & SKB1500N-AC

Standard finishes: White, black, selected Dulux Powdercoat colour (exterior & interior colour combinations) & Stainless steel (exterior & interior)

Standard models: 1, 2 & 3 glass door



Own Me - Use our SKOPE Funding online calculator by visiting skope.com/funding



Restaurants / Cafés



Quick Service Restaurants



Clubs / Pubs / Bars



Hospitality Venues



Accommodation



Medical / Aged Care



Schools



Convenience Stores

Quick Guide

- ✓ Premium build quality
- ✓ Display & store - food, drinks & perishables
- ✓ ActiveCore™ technology
- ✓ Market leading energy efficiency
- ✓ SKOPE Connected controller
- ✓ R290 Natural Refrigerant with minimal environmental impact
- ✓ Monitor & control with the SKOPE-connect™ app
- ✓ Solid & tropical door options*
- ✓ Full colour options
- ✓ Remote available*
- ✓ Customisable

Standard Features

Benefits

ActiveCore™ cartridge system	Interchangeable & easy servicing - same cartridge used across all models
Premium energy efficient glass	Double Low-E equivalent
Frameless glass door design	Modern appealing look
SKOPE patented EZI-CLIP	Quick shelf set up & adjustment
Bright LED lighting	Showcasing products inside
Door lock tabs	Extra security
Slotted back panel	Chilled air directly onto products
Optimal airflow design	Minimal internal temperature variations
Low noise fan system	Quiet operation

Options

- Stainless steel finish
- Full powdercoat colour range
- Remote
- Tropical heated glass
- Solid door
- Barrel key locks
- Lit sign (AC models)
- Extra shelf & slides/clips
- Internal LED lighting (solid door)
- Gravity feed shelving
- Internal shelf lights
- Stainless steel punched shelves
- Door hinge kit (1 door models only)

*ActiveCore 2 features not available for all models



Full Warranty
ActiveCore™ Series



High Efficiency
Major Energy Savings



Compliance
Independently Verified



Food Safe
Keeps food below 5°C

ActiveCore™ 2 Series

SKB - Bottom Mount

Cabinet

Glass Doors (standard)	Self closing, double glazed, single Low-E, argon filled, toughened safety glass, lockable, swing
Tropical Doors (optional)	Heated, self closing, double glazed, single Low-E, argon filled, toughened safety glass, lockable, swing
Solid Doors (optional)	Stainless or Powdercoated Steel, foamed, self closing, lockable, swing
Cabinet construction	Powdercoated Steel
Shelves	Plastic coated wire - adjustable height, 625mm wide X 470mm deep
Breathes from/Expels to	Lower front/ Lower rear
Lighting	LED Module - 1 per door
Controller	Electronic with SKOPE- connect™
Connectivity	Via Bluetooth
Removeable ActiveCore cartridge	Yes

Performance

Temperature Range	Food Safe: 1°C to 4°C (adjustable via SKOPE-connect 1°C to 15°C)
Maximum ambient temperature	43°C (40°C if fridge is built in)
MEPS Category	M1 Food & Drinks
High efficiency model	Yes

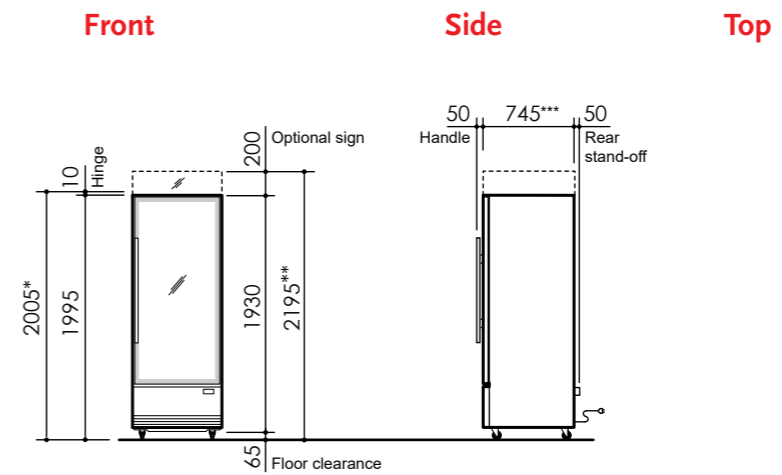
Refrigeration

System	ActiveCore cartridge- removable unit, bottom mounted, self contained
Refrigerant	R290 Natural Refrigerant
Drainage	No plumbing required

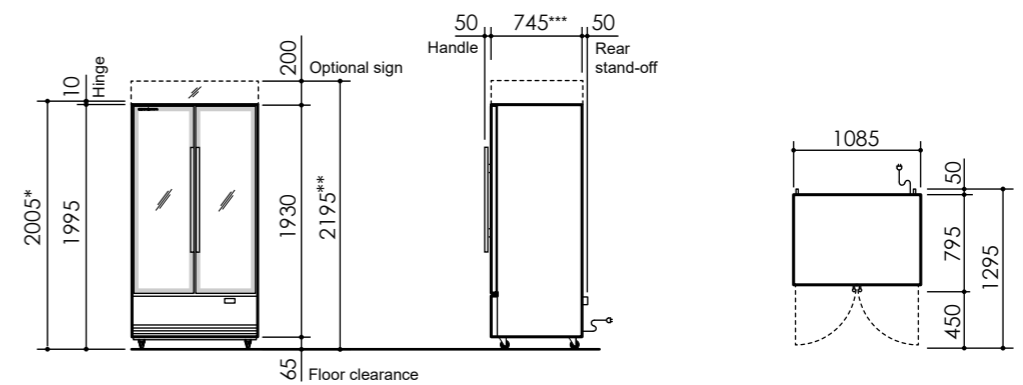
Electrical

Climate Class rating	5 (40°C/40% RH)
Power Supply	220-240 Volts a.c 50 Hz single phase supply
Plug	10 Amp 3 pin & 2.3m cable (where applicable cabinets are supplied with correct regional plug types)
Light switch on controller	Yes

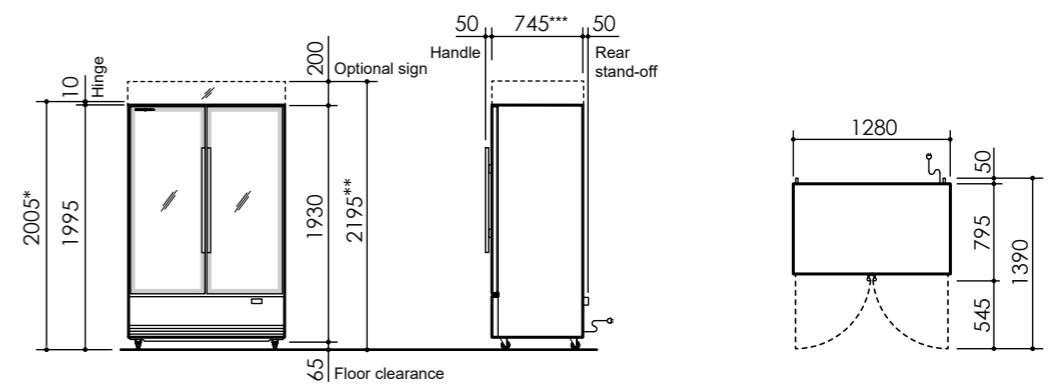
SKB600N-A & SKB600N-AC



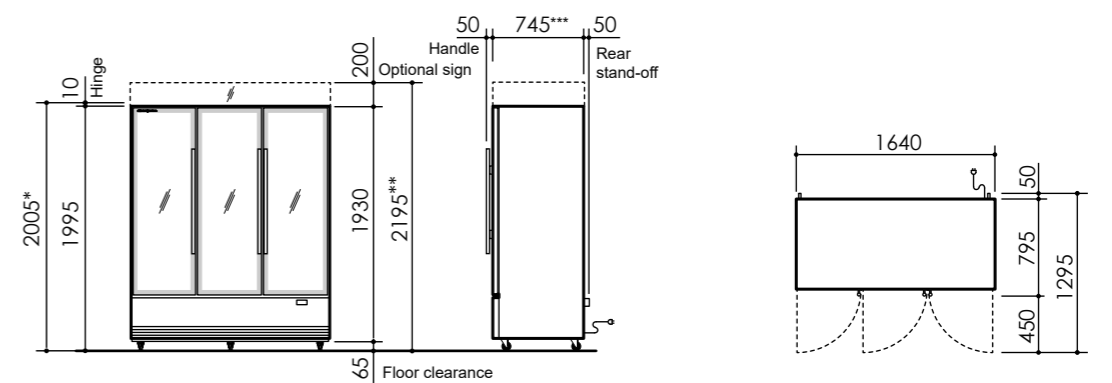
SKB900N-A & SKB900N-AC



SKB1200N-A & SKB1200N-AC



SKB1500N-A & SKB1500N-AC



ActiveCore™ 2 Series

SKB - Bottom Mount

Specifications

Model ID	Doors	Door Type	Sign Type	External Dimensions (W x D x H mm)	Total Floor Area (m2)	Weight (kg)	Gross Internal Volume (litres)	Total Display Area (m²)	Adjustable Shelves (No.)	Adjustable Shelves Size (wide x deep mm)	Total Shelf Area (m2)	Product Facings (600ml PET)	TEC kWh/24h @ Climate Class 3	Refrigerant/ Charge	Current Draw (Amps)	Electrical Capacity (kW)
SKB600N-A	1	Glass	No sign	740 x 795 x 2005	0.63	185	584	0.527	5	625 x 520	1.06	30	2.17	R290 / 99g	2.9	0.74
SKB600N-AC	1	Glass	Lit sign	740 x 795 x 2005	0.63	185	584	0.527	5	625 x 520	1.06	30	2.29	R290 / 99g	2.9	0.74
SKB600NT-A	1	Tropical	No sign	740 x 795 x 2005	0.63	185	584	0.527	5	625 x 520	1.06	30	-	R290 / 99g	4.5	0.74
SKB600NT-AC	1	Tropical	Lit sign	740 x 795 x 2005	0.63	185	584	0.527	5	625 x 520	1.06	30	-	R290 / 99g	4.5	0.74
SKB600NS-A	1	Solid	No sign	740 x 795 x 2005	0.63	185	584	0.527	5	625 x 520	1.06	30	-	R290 / 99g	2.9	0.74
SKB900N-A	2	Glass	No sign	1085 x 795 x 2005	0.86	220	880	0.75	10	480 x 520	1.47	40	3.42	R290 / 99g	3.0	0.74
SKB900N-AC	2	Glass	Lit sign	1085 x 795 x 2005	0.86	220	880	0.75	10	480 x 520	1.47	40	3.6	R290 / 99g	3.0	0.74
SKB900NT-A	2	Tropical	No sign	1085 x 795 x 2005	0.86	220	880	0.75	10	480 x 520	1.47	40	-	R290 / 99g	4.5	0.74
SKB900NT-AC	2	Tropical	Lit sign	1085 x 795 x 2005	0.86	220	880	0.75	10	480 x 520	1.47	40	-	R290 / 99g	4.5	0.74
SKB900NS-A	2	Solid	No sign	1085 x 795 x 2005	0.86	220	880	0.75	10	480 x 520	1.47	40	-	R290 / 99g	3.0	0.74
SKB1200N-A	2	Glass	No sign	1280 x 795 x 2005	1.08	245	1079	1.08	10	577 x 520	2.86	70	3.36	R290 / 99g	3.0	0.74
SKB1200N-AC	2	Glass	Lit sign	1280 x 795 x 2005	1.08	245	1079	1.08	10	577 x 520	2.86	70	3.57	R290 / 99g	3.0	0.74
SKB1200NT-A	2	Tropical	No sign	1280 x 795 x 2005	1.08	245	1079	1.08	10	577 x 520	2.86	70	-	R290 / 99g	6.0	0.74
SKB1200NT-AC	2	Tropical	Lit sign	1280 x 795 x 2005	1.08	245	1079	1.08	10	577 x 520	2.86	70	-	R290 / 99g	6.0	0.74
SKB1200NS-A	2	Solid	No sign	1280 x 795 x 2005	1.08	245	1079	1.08	10	577 x 520	2.86	70	-	R290 / 99g	3.0	0.74
SKB1500N-A	3	Glass	No sign	1640 x 795 x 2005	1.34	330	1433	1.67	15	490 x 520 (side) / 540 x 520 (middle)	4.38	110	5.08	R290 / 99g	3.4	0.74
SKB1500N-AC	3	Glass	Lit sign	1640 x 795 x 2005	1.34	330	1433	1.67	15	490 x 520 (side) / 540 x 520 (middle)	4.38	110	5.32	R290 / 99g	3.4	0.74
SKB1500NS-A	3	Solid	No sign	1640 x 795 x 2005	1.34	330	1433	1.67	15	490 x 520 (side) / 540 x 520 (middle)	4.38	110	-	R290 / 99g	3.4	0.74

ActiveCore 2

the next generation of cool



Optimal power savings



SKOPE-connect[™]
puts you in control



R290 Natural Refrigerant
a green choice



Full Warranty
ActiveCore[™] Series

Head Office

New Zealand
SKOPE Industries Limited
57 Princess Street
PO Box 1091
Christchurch 8140
New Zealand
International Tel: +64 (3) 983 3800

Customer Services

Australia
Freephone: 1800 121 535
Email: skope@skope.com

New Zealand
Freephone: 0800 947 5673
Email: skope@skope.com

SKOPE Funding

Australia
Freephone: 1800 121 535 (opt 4)
Email: skopelifunding@skope.com

New Zealand
Freephone: 0800 947 5673 (opt 4)
Email: skopelifunding@skope.com