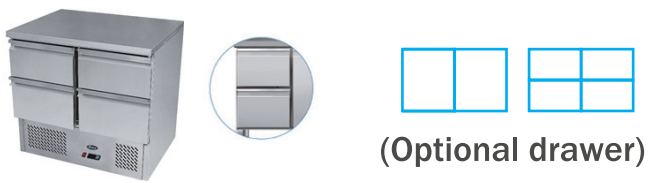


FEATURES

- Performs well in hot environments
- High grade stainless steel interior & exterior
- Heavy duty stainless steel top
- All fitted with European parts Compressor & EBM fan motor
- Embraco compressor
- 43-degree ambient working temperature
- Gas 134A refrigerant
- 2-8 degrees working temp
- Insulation foam CH10, ODP zero emissions
- Static cooling system
- Carel Italian digital controls
- Self-evaporating drainage
- Manual defrosting system
- We recommend you defrost regularly for better maintenance of temperatures
- Compressor & condenser situated on the bottom, so motor can breathe
- Unit can be positioned against a wall
- Fits Australian GN pans
- White Epoxy shelves & stainless-steel rails
- Comes installed with 4 castors for easy mobility
- GN / pans & Lids not included



Drawer price: \$495/SET
FOR TWO DRAWERS PER DOOR

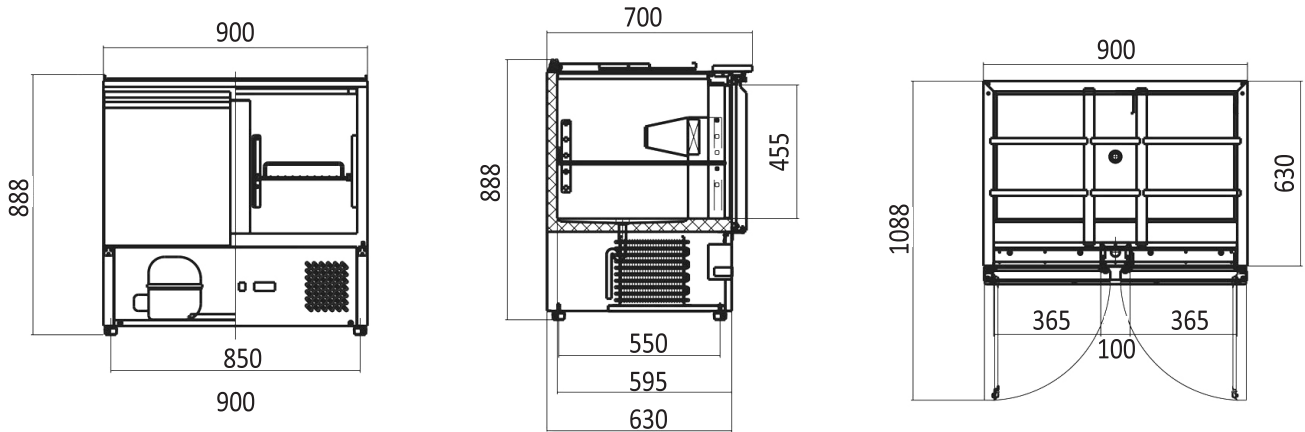


INFORMATION	ESL3800	ESL3801
Capacity	300L	300L
Power	250W	250W
Voltage	220~240V/50Hz	220~240V/50Hz
Working Temp	-2°C~+8°C	-2°C~+8°C
Ambient Temp	43°C	43°C
Dimensions(mm)	W900 x D700 x H888,72kg	W900 x D700 x H880,72kg
Packaging Dimensions(mm)	W954 x D754 x H1022,84kg	W954 x D754 x H1022,84kg
RRP	\$1,399.00	\$1,399.00

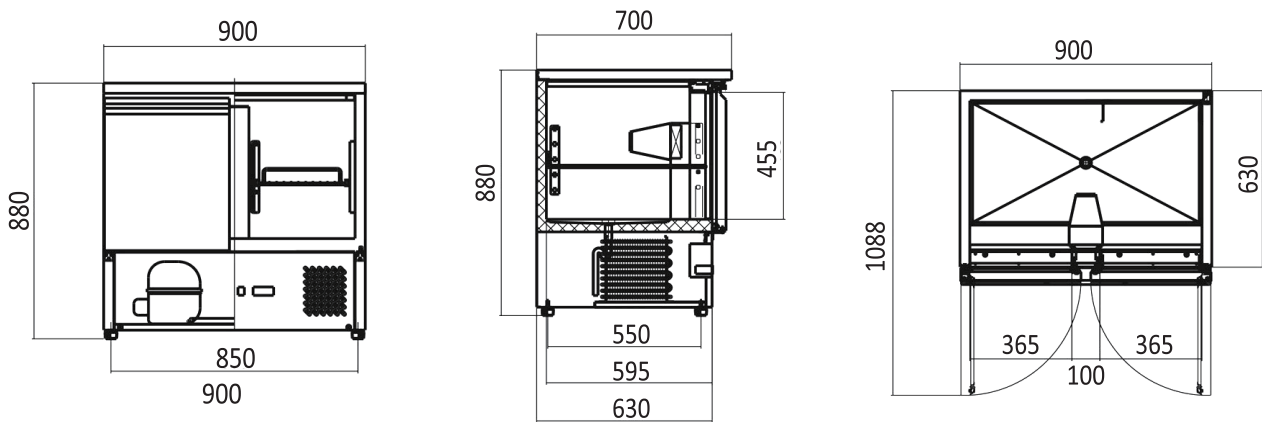


2 YEARS WARRANTY ON ALL PARTS & LABOUR
* EXTRA 2 YEARS WARRANTY ON PARTS WHEN YOU REGISTER WITH US ONLINE

ESL3800



ESL3801



+



2 YEARS WARRANTY ON ALL PARTS & LABOUR
* EXTRA 2 YEARS WARRANTY ON PARTS WHEN YOU REGISTER WITH US ONLINE