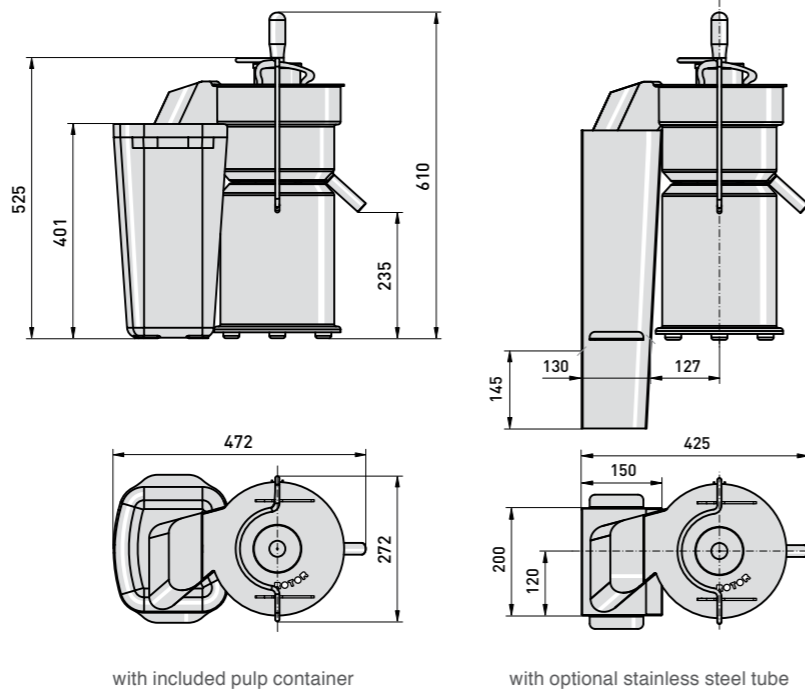


VITAMAT

Rotor Vitamat heavy duty commercial juicer

Technical Data	
Power supply	230 V / 50 Hz / 4.8 A
Maximum power	1600 W
Speeds	5000/5600 rpm
Capacity	depends on product, up to 200 kg apples or 150 kg carrots per hour
Tube feed diameter	80mm
Dimensions	272w x 472d x 610h mm
Net weight	16.5 kg

This machine complies with the CE-regulations.
The Rotor Vitamat (including the motor) is manufactured in Uetendorf, Switzerland



with included pulp container

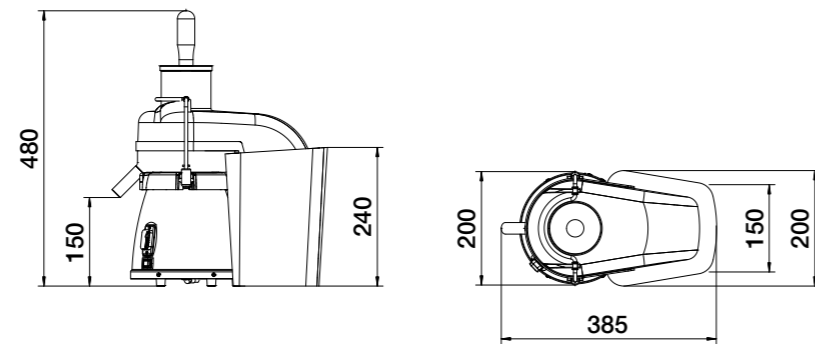
with optional stainless steel tube

SANAMAT

Rotor Sanamat compact commercial juicer

Technical Data	
Power supply	230 V / 50 Hz / 3 A
Maximum power	1100 W
Speeds	5500 / 7200 rpm
Capacity	Up to 120kg/hr
Tube feed diameter	80mm
Dimensions	200w x 365d x 480h mm
Net weight	7.6 kg

This machine complies with the CE-regulations.
The Rotor Sanamat (including the motor) is manufactured in Uetendorf, Switzerland.



ROTOR

CENTRIFUGAL JUICE EXTRACTORS



VITAMAT JUICE EXTRACTOR

- Made in Switzerland
- Easy to clean
- Powerful 2 speed electronically controlled motor, 5000rpm and 5600rpm
- Quiet
- Safety clasp with inbuilt brake for safe operation
- Heavy duty construction
- 1600watt motor
- Highest juice yield in comparison to competitors
- Polished stainless steel construction, not plastic
- Includes 12 litre pulp container
- Production up to 200kg per hour
- Weight 16.5kg
- Up to 2 Year Warranty*

Powerful Yet Quiet Operation

The Rotor Vitamat is a heavy duty commercial juicer with continuous juice extraction. The Vitamat uses Rotors unique Silent Drive mechanism. This unique design means quieter juicing ideal for front of house operation.



Higher Juice Yield

The Rotor Vitamat features a unique motor manufactured by Rotor in Switzerland. This powerful motor rotates at higher speeds (5000rpm & 5600rpm) to enable higher juice yields. Softer fruits and vegetables offer better yields when juicing at 5000rpm while harder produce offers better yields at 5600rpm.

Heavy Duty Stainless Steel Construction

The Vitamat is constructed using high grade polished stainless steel. Unlike cast aluminium or alloy, stainless steel does not discolor when exposed to cleaning sanitizers or harsh cleaning agents. Stainless steel also ensures a lifelong resistance to dents and scratches while enabling the highest possible sanitary cleaning standards.



Large 80mm Tube Feed with Reducer

The Vitamat offers a largest in class 80mm tube feed for rapid juicing of the largest fruits and vegetables. An additional reducing tube insert is provided to reduce the tube size by 50%, allowing for easier juicing of small or harder fruits and vegetables such as carrots. Hard items such as carrots require less physical effort when juicing with the tube insert.

Hygienic and Dishwasher Safe

Due to the stainless steel construction of the Vitamat, all removable items can be cleaned in the dishwasher. This includes the lid, grater, strainer basket and all parts that come in contact with food or juice. The motor base can also be wiped cleaned using cleaning agents or sanitizers without discoloring due to the stainless steel construction.



SANAMAT JUICE EXTRACTOR

- Made in Switzerland
- Easy to clean
- Quiet
- Safety clasp with inbuilt brake for safe operation
- Powerful 2 speed electronically controlled motor, 5500rpm and 7200rpm
- Easy to clean
- 1100watt motor
- Polished stainless steel construction, not plastic
- Highest juice yield in comparison to competitors
- Includes pulp container
- Production up to 120kg per hour
- Weight 7.6kg
- Up to 2 Year Warranty*

Powerful and efficient

The Rotor Sanamat is a compact commercial juice extractor with continuous pulp ejection. The machine separates the juice and the pulp perfectly using a unique patented sealing system. While compact in design the Sanamat is big on performance featuring a class leading 80mm feed tube and capable of juicing up to 120kg/hr of produce. The compact sleek design of the Sanamat makes it ideal for front of house operation.



High Juice Yield

The Rotor Sanamat offers class leading juice yields. The two speed motor (5500rpm & 7200rpm) enables maximum yield from both soft fruits and vegetables as well as harder produce.

Heavy Duty Design & Construction

The Sanamat motor base and lid is constructed of high grade polished stainless steel resistant to discoloring, scratches and dents. The high power 1100watt ventilator cooled motor is manufactured by Rotor in Switzerland ensuring the highest of quality.

Safety Clasp

The Sanamat features a safety clasp to prevent removal of the lid while in operation. The in built brake stops the centrifugal basket when the safety clasp is opened, preventing possible injury to the user.



Hygienic and Dishwasher Safe

All Sanamat attachments including the lid, basket and attachments are manufactured from stainless steel and therefore can be washed in a dishwasher. The motor base can be wiped clean using cleaning agents or sanitizers.



Polished stainless steel lid with big, round feed tube of 80 mm, entirely of stainless steel.



Robust centrifugal basket made for high throughput and easy cleaning



ROTOR