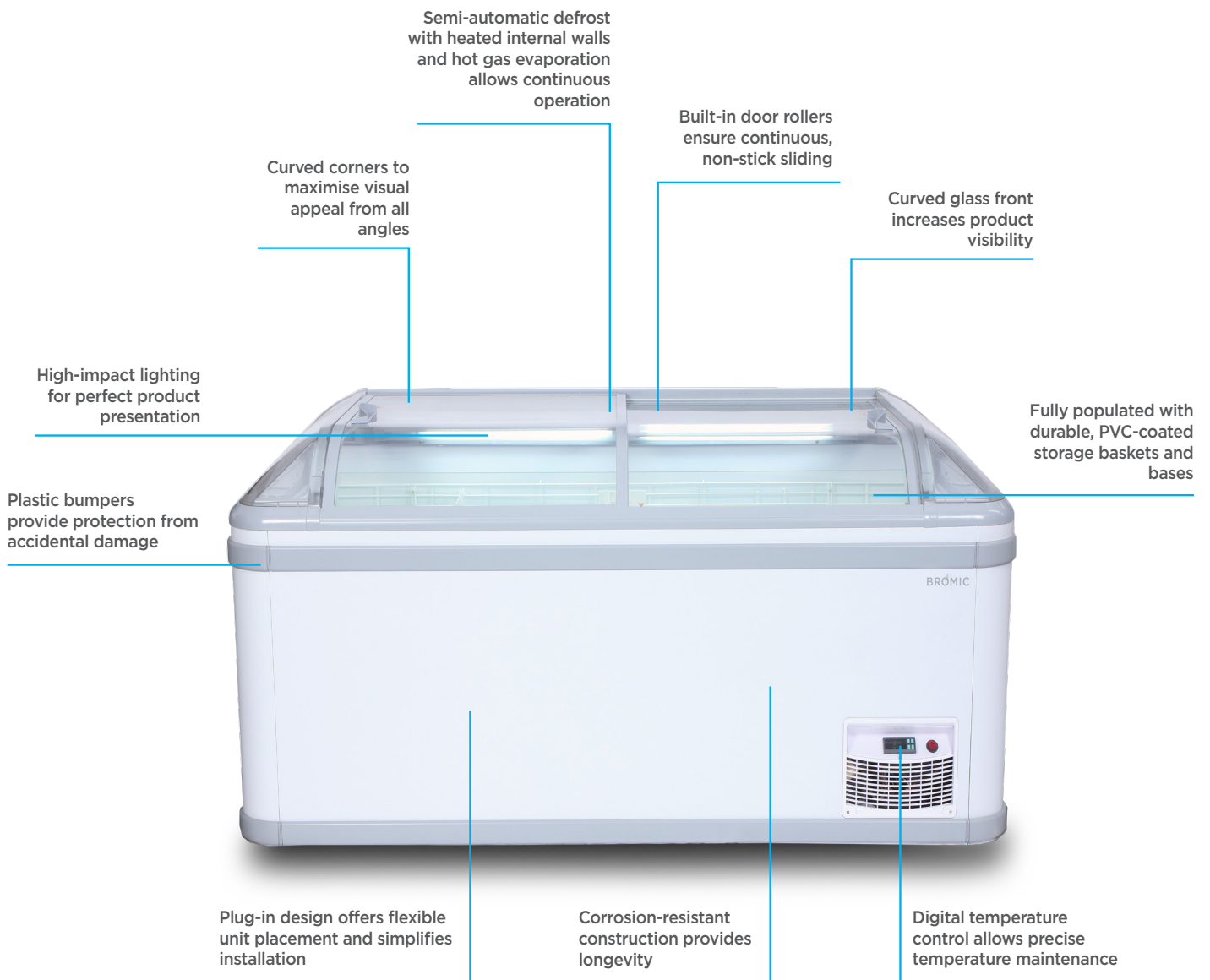


IRENE ECO 185 | Irene ECO 1856mm Island Freezer End Cabinet

Island Freezers

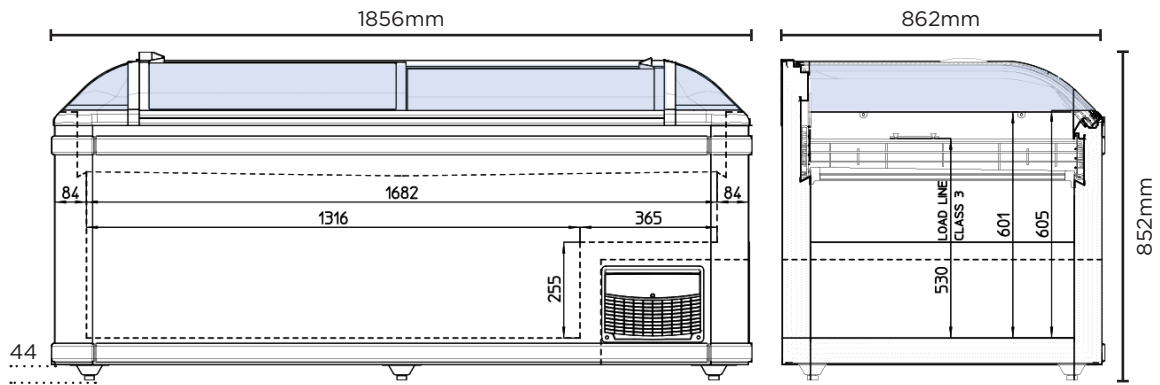
IRENE ECO 185

IRENE ECO 1856MM ISLAND FREEZER END CABINET

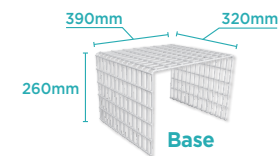
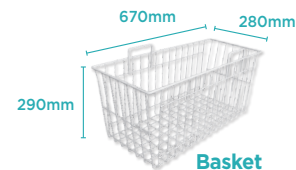
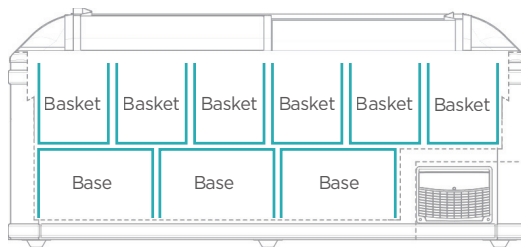


IRENE ECO 185 | Irene ECO 1856mm Island Freezer End Cabinet

Island Freezers



Base & Basket Layout



SPECIFICATIONS

Model	IRENE ECO 185	No. of Lids	2
Part Number	3735319	Lid Type	Slide
Capacity	805/525L	Lid Shape	Curved
Temp. Range (°C)	-25 to -18°C	Glazed Safety Glass	Yes
Max. Ambient Temp. (°C)	25°C Class 3	Digital Temp. Controller	Yes
Refrigeration Capacity	780W	Feet	Yes
Energy Consumption	6.9kWh/24h	No. of Baskets Incl.	6
Current	3.5A	No. of Bases Incl.	3
Gross Weight	161kg	Defrost System	Semi-Automatic
Packaged Dimensions	1985 x 980 x 1010 mm	Colour	White
Refrigerant	R290	Warranty	1 Year, Parts & Labour
Plug Supplied	Yes, 2 x 10A	Warranty Service	Bromic Extra Care
Plug Location	Underneath cabinet		
Total Display Area	1.3m ³		
Main Light	Fluorescent		

DIMENSIONS

External (mm)	
Width	1856
Depth	862
Height	852
Internal (mm)	
Width	1682
Depth	702
Height	753

BROMIC PTY Ltd reserve the right to alter specifications without notice.