

GELATO SHOWCASE

FEATURES

• MODERN DESIGN

By harmonizing curvature and rigidity, our modern style product designs are user-friendly while maintaining the highest product visibility and aesthetics.

• AUTOMATIC DEFROSTING SYSTEM

The automatic defrost cycle on/off periodically, melting the ice that would otherwise build up in the Gelato Case's interior for less maintenance and better hygiene.

• DOUBLE GLAZED FRONT & SIDE GLASSES

Double glazed windows are an ideal energy efficient choice as an added layer of insulation which reduces the amount of cold air escaping. It also prevents condensation for better product presentation at all times.

• DOUBLE EVAPORATOR FOR GREATER TEMPERATURE DISTRIBUTION

SKIPIO's Gelato Case is designed with oversized and balanced refrigeration systems. These include 2 efficient evaporators and a large condenser for faster cooling and greater efficiency.

• LED SPOT LIGHT TOP PANEL

The presentation of displayed products are enhanced through LED lighting and also it reduces unnecessary energy consumption.

• DIGITAL TEMPERATURE CONTROL SYSTEM

It provides precise and constant temperature. This level of precision allows the displayed foods to remain fresh over an extended period of time.

SGC-1200F



(BLACK)



Sydney Branch

ADD: 218 Woodpark Road Smithfield NSW 2164
TEL: +61 2 8798 5061 / 5283 / 5581
X: +61 2 8798 5707
EMAIL: admin@skipio-australia.com

Melbourne Branch

ADD: 55 Lara Way Campbellfield VIC 3061
TEL: +61 3 8405 3359 / 9408 - 4081
X: +61 3 9408 9384
EMAIL: adminvic@skipio-australia.com

Brisbane Branch

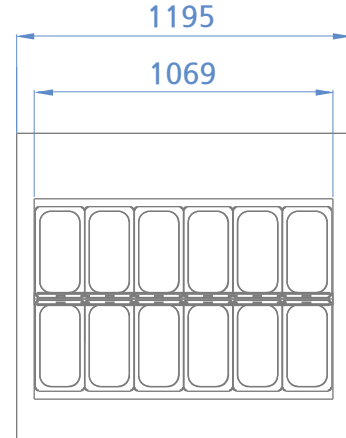
ADD: 3/74 Murdoch Circuit, Acacia Ridge 4110 QLD
TEL: +61 7 3155 0250
EMAIL: adminqld@skipio-australia.com



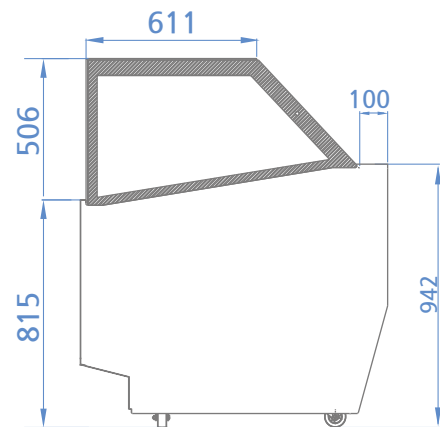
www.skipio.com.au

GELATO SHOWCASE

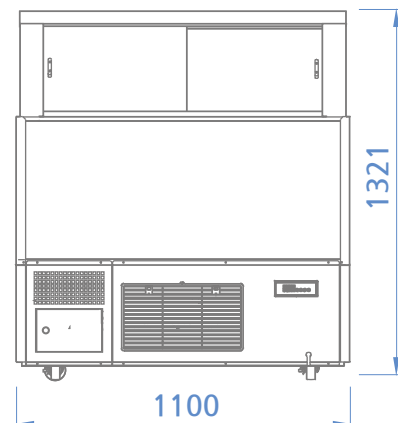
MODEL	SGC-1200F
Classification	Freezer
Cabinet Dimension (WxDxH mm)	1195 x 1100 x 1321
Inner Temperature(°C)	-25°C~-15°C
Refrigent	R-404A
Insulation Type	Polyurethane/ Cyclopentane + CFC Free
Amps(A)	9A
Power(W)	440W
Voltage(V/Hz/Ph)	240V / 50Hz / 1PH
Weight(Kg)	200Kg
Door type	Sliding Doors
Power plug	15A



TOP VIEW

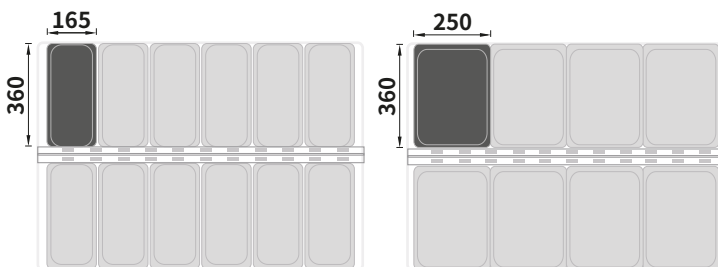


SIDE VIEW



BACK VIEW

* GELATO TUB (Standard : SGC-1200F MODEL) H : 150



Sydney Branch
 ADD: 218 Woodpark Road Smithfield NSW 2164
 TEL: +61 2 8798 5061 / 5283 / 5581
 X: +61 2 8798 5707
 EMAIL: admin@skipio-australia.com

Melbourne Branch
 ADD: 55 Lara Way Campbellfield VIC 3061
 TEL: +61 3 8405 3359 / 9408 - 4081
 X: +61 3 9408 9384
 EMAIL: adminvic@skipio-australia.com

Brisbane Branch
 ADD: 3/74 Murdoch Circuit, Acacia Ridge 4110 QLD
 TEL: +61 7 3155 0250
 EMAIL: adminqld@skipio-australia.com

