

Stainless Steel Refrigerated Display



(UK) **Stainless Steel Counter Top Served/ Prep Refrigerators**
Instruction manual

(IT) **Banchi refrigeratori per preparazione/ servizio con piano di lavoro in acciaio inossidabile**
Manuale di istruzioni

(ES) **Frigoríficos para preparados / aperitivos de mostrador de acero inoxidable**
Manual de instrucciones

(FR) **de travail de comptoir de distribution / de préparation inox réfrigéré**
Mode d'emploi

(NL) **RVS opzetvitriene/bereidingsvitriene met koeling**
Handleiding

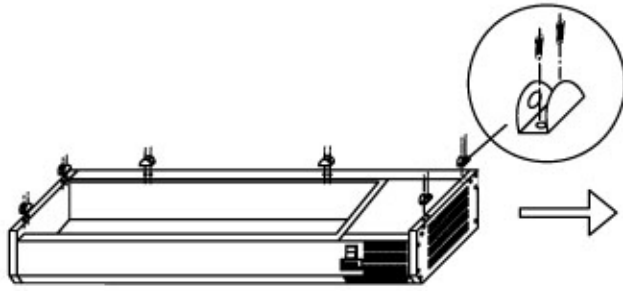
(DE) **Edelstahl-Tischkühlgeräte zum Servieren**
Bedienungsanleitung

(PT) **Bancadas refrigeradas pizza/saladette em aço inoxidável**
Manual de instruções

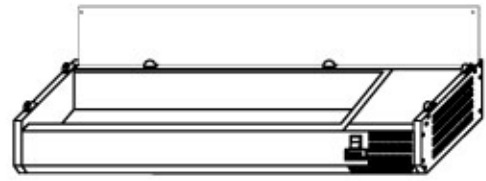
(RUS) **Холодильные надстраиваемые витрины из нержавеющей стали для раздаточных столов и столов для приготовления пищи.**
Инструкция по эксплуатации



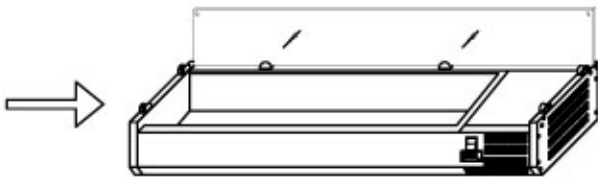
GLASS ASSEMBLY GUIDE



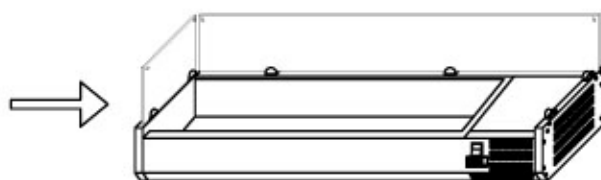
1



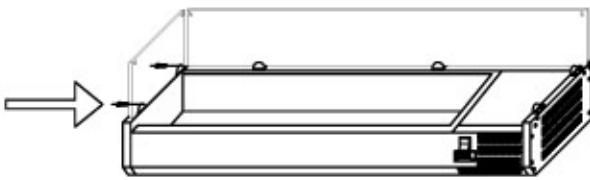
2



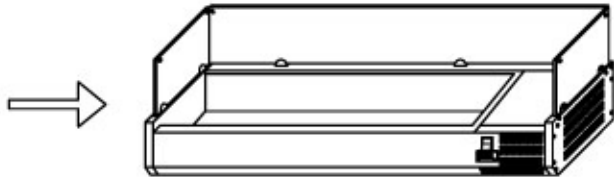
3



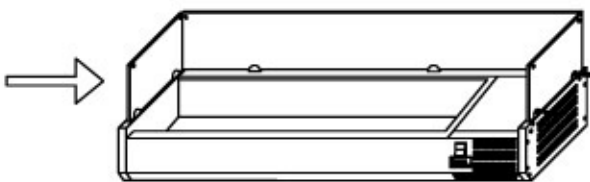
4



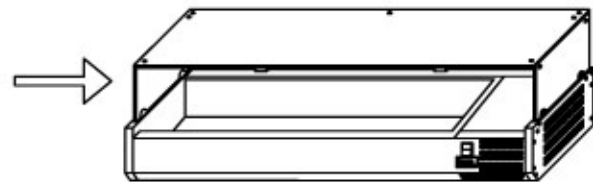
5



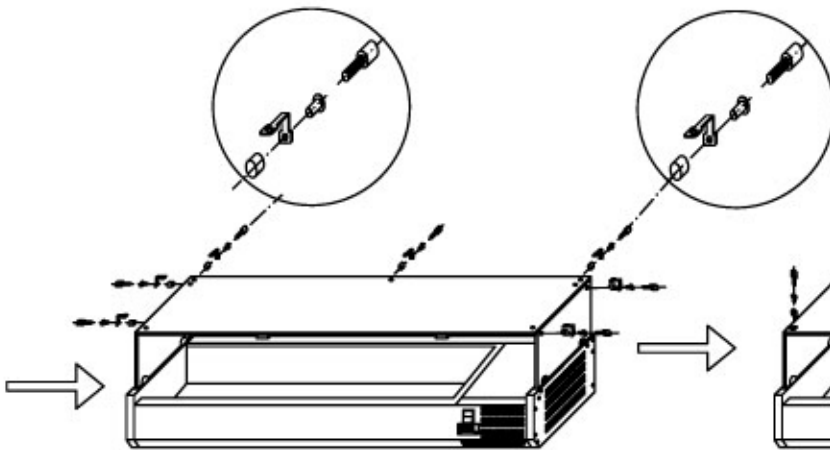
6



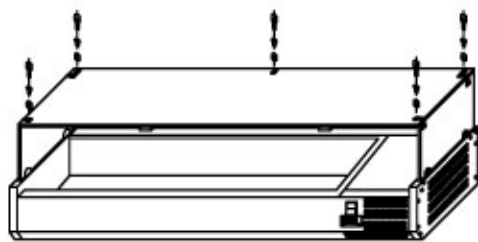
7



8



9



10

(UK) Table of Contents

Safety Tip	1
Introduction	1
Pack Contents	1
Installation	1
Fit Glass Panels	1
Operation	1
Storing Food	1
Turn On	2
Manual Defrost	2
Cleaning, Care & Maintenance	2
Cleaning the Condenser	2
Troubleshooting	2
Technical Specifications	3
Electrical Wiring	3
Disposal	3
Compliance	3

(IT) Indice

Suggerimenti per la sicurezza	4
Introduzione	4
Contenuto dell'imballaggio	4
Installazione	4
Montaggio dei pannelli in vetro	4
Funzionamento	4
Conservazione dei cibi	4
Accensione	4
Sbrinamento manuale	4
Pulizia e manutenzione	5
Pulizia del condensatore	5
Specifiche tecniche	5
Risoluzione dei problemi	5
Cablaggi elettrici	6
Smaltimento	6
Conformità	6

(ES) Índice

Consejos de Seguridad	7
Introducción	7
Contenido del Conjunto	7
Instalació	7
Montaje de los Paneles de Cristal	7
Funcionamiento	7
Almacenamiento de comida	7
Activación	7
Descongelación manual	8
Pulizia e manutenzione	8
Limpieza del condensador	8
Resolución de problemas	8
Especificaciones Técnicas	8
Cableado Eléctrico	9
Desecho	9
Cumplimiento	9

(FR) Sommaire

Conseils de sécurité	10
Introduction	10
Contenu de l'emballage	10
Installation	10
Installation des parois de verre	10
Fonctionnement	10
Stockage des aliments	10
Mise en service	10
Décongélation manuelle	10
Nettoyage, entretien et maintenance	11
Nettoyage du condensateur	11
Dépannage	11
Spécifications techniques	11
Raccordement électrique	12
Mise au rebut	12
Conformité	12

(NL) Inhoudsopgave

Veiligheidstips	13
Inleiding	13
Verpakkingsinhoud	13
Installatie	13
Plaatsen van de glaspanelen	13
Bediening	13
Opslag van levensmiddelen	13
Inschakelen	13
Handmatig ontdooien	14
Reiniging, zorg & onderhoud	14
Reiniging van de condensor	14
Oplossen van problemen	14
Technische specificaties	14
Elektrische bedrading	15
Afvalverwerking	15
Productconformiteit	15

(DE) Inhalt

Sicherheitshinweise	16
Einführung	16
Lieferumfang	16
Montage	16
Gläser einsetzen	16
Betrieb	16
Lagerung von Nahrungsmitteln	16
Einschalten	16
Manuelles Abtauen	17
Reinigung, Pflege und Wartung	17
Reinigen des Kondensators	17
Störungssuche	17
Technische Spezifikationen	17
Elektroanschlüsse	18
Entsorgung	18
Konformität	18

(PT) Índice

Conselhos de segurança	19
Introdução	19
Conteúdo da embalagem	19
Instalação	19
Colocar os painéis de vidro	19
Funcionamento	19
Armazenamento de produtos alimentares	19
Ligar	19
Descongelamento manual	20
Limpeza, cuidados & manutenção	20
Limpar o condensador	20
Resolução de problemas	20
Especificações técnicas	20
Cablagem eléctrica	21
Tratamento de lixo e resíduos	21
Conformidade	21

(RUS) Содержание

Меры предосторожности	22
Введение	22
Комплектация	22
Установка	22
Установка стеклянных панелей	22
Эксплуатация	23
Хранение продуктов	23
Включение	23
Принудительное размораживание	23
Содержание и техническое обслуживание, уход и очищение	23
Очищение конденсатора	23
Устранение неполадок	23
Технические спецификации	24
Электропроводка	24
Утилизация	24
Соответствие техническим требованиям	24

Safety Tips

- Position on a flat, stable surface.
- A service agent/qualified technician should carry out installation and any repairs if required. Do not remove any components or service panels on this product.
- Consult Local and National Standards to comply with the following:
 - Health and Safety at Work Legislation
 - BS EN Codes of Practice
 - Fire Precautions
 - IEE Wiring Regulations
 - Building Regulations
- DO NOT use jet/pressure washers to clean the appliance.
- DO NOT use the appliance outside.
- DO NOT use this appliance to store medical supplies.
- DO NOT use electrical appliances inside the appliance (e.g. heaters, ice-cream makers etc.)
- DO NOT stand or support yourself on the base, drawers or doors.
- DO NOT allow oil or fat to come into contact with the plastic components or door seal. Clean immediately if contact occurs.
- Bottles that contain a high percentage of alcohol must be sealed and placed vertically in the refrigerator.
- Always carry, store and handle the appliance in a vertical position and move by holding the base of the appliance.
- Always switch off and disconnect the power supply to the unit before cleaning.
- Keep all packaging away from children. Dispose of the packaging in accordance with the regulations of local authorities.
- If the power cord is damaged, it must be replaced by an agent or a recommended qualified technician in order to avoid a hazard.

Introduction

Please take a few moments to carefully read through this manual. Correct maintenance and operation of this machine will provide the best possible performance from your product.

Pack Contents

The following is included:

- Refrigerator or Freezer
- Top glass panel
- Rear glass panel
- Side glass panels x 2
- Instruction manual
- Collars x 6
- Bolt Assembly x 14 sets
- Brackets x 7
- Grub screws x 7
- Screws x 12
- Plugs x 14
- Gastranorm adaptor bar
- Adjustable feet x 4

We pride itself on quality and service, ensuring that at the time of packaging the contents are supplied fully functional and free of damage.

Should you find any damage as a result of transit, please contact your dealer immediately.

Installation

Note: If the unit has not been stored or moved in an upright position, let it stand upright for approximately 12 hours before operation. If in doubt allow to stand.

1. Remove the appliance from the packaging. Make sure that all protective plastic film and coatings are thoroughly removed from all surfaces.
2. Maintain a distance of 20cm (7 inches) between the unit and walls or other objects for ventilation. Increase this distance if the obstacle is a heat source.

Note: Before using the appliance for the first time, clean interior with soapy water.

3. Level the appliance by adjusting the screw feet.

Fit Glass Panels

1. Screw the collars to the rim of the appliance.

Note: Ensure the hole in the collar for the grub screw faces inwards.

2. Slot the two side panels into the collars, with the holes in the glass at the top.

Note: Ensure the screw hole furthest from the edge of the panel goes to the back of the appliance.

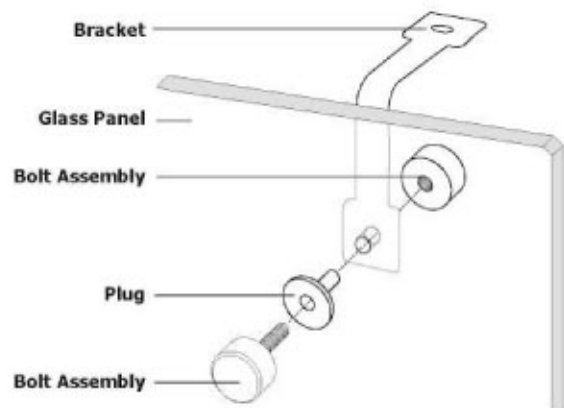
3. Screw a grub screw into each collar to secure the panels.

Note: Ensure the soft end of the grub screw is the end making contact with the glass.

4. Slot the rear panel into the collars, with the holes in the glass at the top.
5. Screw a grub screw into each collar to secure the panel.
6. Slot the plastic plugs into each of the holes.
7. Screw the brackets to the inside of each pane using the bolt assemblies.

Note: Ensure the short end of the bolt assembly is on the outside of the panels.

8. Place the top panel onto the brackets, ensuring all holes line up.
9. Insert the plugs and attach the top panel to the brackets with the bolt assemblies.



Operation

Storing Food

To get the best results from your appliance, follow these instructions:

1. Only store foodstuffs in the appliance when it has reached the correct operating temperature.

2. Ensure gastronorm bays are full at all times, even if the gastronorms are unused or empty. Empty bays will greatly reduce efficiency of the appliance.
3. Do not obstruct the fans inside the appliance.

Turn On

1. Close the door(s) of the appliance.
2. Ensure the power switch is set to [O] and turn on at the socket.
3. Switch on the Power [I]. The current temperature within the appliance is displayed.

Manual Defrost

The appliance will automatically run a defrost cycle every six hours.

Note: The cycle starts from the time the appliance is initially powered up.

To manually defrost the appliance:

1. Press and hold the DEFROST  button for 5 seconds.
2. The defrost cycle will start immediately and the Defrost LED illuminates. The defrost will last a maximum of 30 minutes.

Note: Starting a manual defrost also resets the automatic defrost timer.

The next automatic defrost will start six hours after the manual defrost has finished.

3. Waste water is collected in the waste water tray.

Cleaning, Care & Maintenance

- Switch off and disconnect from the power supply before cleaning.
- Clean the interior of the appliance as often as possible.
- Do not use abrasive cleaning agents. These can leave harmful residues.
- Clean the door seal with water only.
- Always wipe dry after cleaning.
- Do not allow water used in cleaning to run through the drain hole into the evaporation pan.
- Take care when cleaning the rear of the appliance. Sharp edges can cut.

An agent or qualified technician must carry out repairs if required.

Cleaning the Condenser

Periodically cleaning the condenser can extend the life of the appliance.

We recommend that our agent or qualified technician clean the condenser.

Troubleshooting

If your appliance develops a fault, please check the following table before call your dealer.

Fault	Probable Cause	Action
The appliance is not working	The unit is not switched on	Check the unit is plugged in correctly and switched on
	Plug and lead are damaged	Call your agent or qualified Technician
	Fuse in the plug has blown	Replace the fuse
	Power supply	Check power supply
	Internal wiring fault	Call your agent or qualified Technician
The appliance turns on, but the temperature is too high/low	Condenser blocked with dust	Call your agent or qualified Technician
	Appliance is located near a heat source or air flow to the condenser is being interrupted	Move the refrigerator to a more suitable location
	Ambient temperature is too high	Increase ventilation or move appliance to a cooler position
	Unsuitable foodstuffs are being stored in the appliance	Remove any excessive hot foodstuffs or blockages to the fan
	Appliance is overloaded	Reduce the amount of food stored in the appliance

Fault	Probable Cause	Action
The appliance is unusually loud	Loose nut/screw	Check and tighten all nuts and screws
	The appliance has not been installed in a level or stable position	Check installation position and change if necessary

Technical Specifications

Model	Voltage	Power	Current	Temperature Range	Capacity	Dimensions H x W x D (mm)	Weight (kg)
1200/330	230V/50Hz	250W	1.1A	2°C ~ 10°C	5 x GN ¼ Container	430 x 1200 x 335	25
1400/330	230V/50Hz	250W	1.1A	2°C ~ 10°C	6 x GN ¼ Container	430 x 1400 x 335	27
1500/330	230V/50Hz	250W	1.1A	2°C ~ 10°C	7 x GN ¼ Container	430 x 1500 x 335	29
1600/330	230V/50Hz	250W	1.1A	2°C ~ 10°C	7 x GN ¼ Container	430 x 1600 x 335	30
1800/330	230V/50Hz	250W	1.1A	2°C ~ 10°C	8 x GN ¼ Container	430 x 1200 x 335	32
2000/330	230V/50Hz	250W	1.1A	2°C ~ 10°C	10 x GN ¼ Container	430 x 1200 x 335	34
1200/380	230V/50Hz	250W	1.1A	2°C ~ 10°C	4 x GN ⅓ Container	430 x 1200 x 395	28
1400/380	230V/50Hz	250W	1.1A	2°C ~ 10°C	6 x GN ⅓ Container	430 x 1200 x 395	30
1500/380	230V/50Hz	250W	1.1A	2°C ~ 10°C	6 x GN ⅓ Container	430 x 1400 x 395	31
1600/380	230V/50Hz	250W	1.1A	2°C ~ 10°C	7 x GN ⅓ Container	430 x 1500 x 395	32
1800/380	230V/50Hz	250W	1.1A	2°C ~ 10°C	8 x GN ⅓ Container	430 x 1600 x 395	34

Electrical Wiring

Appliances are supplied with a 3 pin, moulded, BS1363 plug and lead, with a 13 amp fuse as standard. The plug is to be connected to a suitable mains socket. Appliances are wired as follows:

- Live wire (coloured brown) to terminal marked L
- Neutral wire (coloured blue) to terminal marked N
- Earth wire (coloured green/yellow) to terminal marked E

All appliances must be earthed, using a dedicated earthing circuit.

If in doubt consult a qualified electrician.

Electrical isolation points must be kept clear of any obstructions. In the event of any emergency disconnection being required they must be readily accessible.

Disposal

EU regulations require refrigeration product to be disposed of by specialist companies who remove or recycle all gasses, metal and plastic components.

Consult your local waste collection authority regarding disposal of your appliance. Local authorities are not obliged to dispose of commercial refrigeration equipment but may be able to offer advice on how to dispose of the equipment locally.

Compliance

Parts have undergone strict product testing in order to comply with regulatory standards and specifications set by international, independent, and federal authorities.

Products have been approved to carry the following symbol:

