

## Toaster Griller W.GTQI15

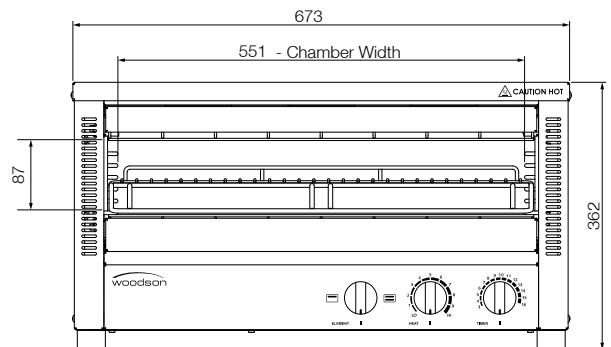
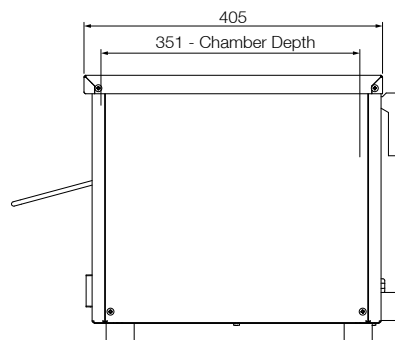
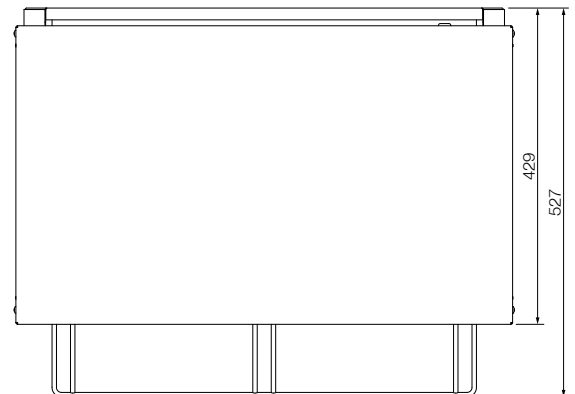


### Product Information:

- Energy efficient 'instant' heat, ceramic coated glass infrared elements
- Fast, exceptionally even grilling and toasting
- Timer controlled operation
- Select top & bottom or top only heat
- Multiple position slides and rack for safer loading
- Easy to clean removable crumb tray
- Stainless steel construction
- Internal opening 551 x 351 x 87mm
- Includes wall mount brackets as standard

### Specifications:

<b>Model</b>	<b>W.GTQI15</b>
<b>Height</b>	362mm
<b>Width</b>	673mm
<b>Depth</b>	527mm
<b>Power</b>	3.36kW
	15A plug & lead fitted
<b>Capacity</b>	15 Slice



Due to continuous product research and development, the information contained herein is subject to change without notice.

Revision: B - 31/08/2020

[www.stoddart.com.au](http://www.stoddart.com.au)

[www.stoddart.co.nz](http://www.stoddart.co.nz)