

## SENSOR OPERATED

## Saniflow E05A



E05A



E05AC



E05ACS



E05AB

### General description

- Saniflow® automatic hand dryer is the rotating nozzle dryer that is most widely used in the world, regardless of the location to be fitted.
- These machines also feature easy maintenance, low noise levels and a high level of user safety. Together with an accurate design of components, SANIFLOW dryers boast the most powerful airflow in the world, which, combined with a comfortable drying temperature, reduces drying times to a minimum.
- Available in a 1,5 mm. thick steel cover, white or black finished or in a 1,5 mm. thick stainless steel cover bright or satin finished, this hand dryer is ideal for Heavy traffic Bathrooms.
- Thus, these are proven models with a long durability and complete reliability, with anti-vandalism features and designed to be installed in high traffic of people such as airports, large hotels, sport centers, large recreational areas and large official organizations, among others.

### Components & materials:

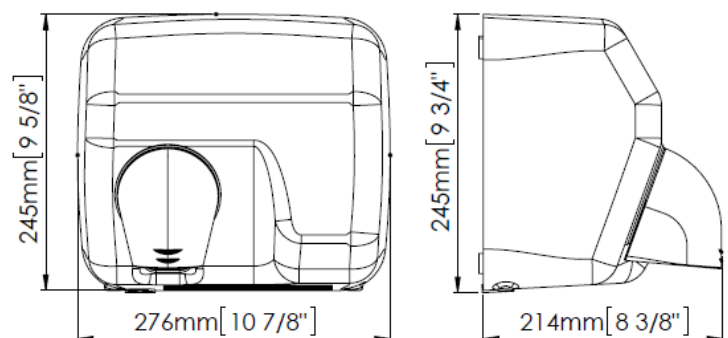
- E05A:** 1,5 mm. thick steel cover, white finished.
- E05AB:** 1,5 mm. thick steel cover, black finished.
- E05AC:** 1,5 mm. thick stainless steel cover, bright finish.
- E05ACS:** 1,5 mm. thick stainless steel cover, satin finish.
- One-piece cover fixed to the base by means of 2 vandal-proof lock screws and lock with special Saniflow ® wrench.
- Base in aluminium, 3 mm thick, with 4 Ø 8 mm holes for wall mounting.
- Fire resistant plastic UL 94-VO fan scroll.
- Universal brush motor, 5.500 rpm, F class, which includes a safety thermal cut-off.
- Aluminium centrifugal double symmetrical inlet fan wheel.
- Waved wire NiCr heating element on a mica frame that incorporates a thermal cut-off.
- 360° Nozzle in chrome plated Zamak.
- Electronic detection sensor by infrared beams.
- Adjustable detection by potentiometer.
- 4 silent blocks to eliminate vibrations.

### Technical Specifications:

<b>Voltage</b>	220- 240 V
<b>Frequency</b>	50/60 Hz
<b>Electrical Isolation</b>	Class I
<b>Total power</b>	2,250 W
<b>Consumption</b>	10 A
<b>Motor power</b>	250 W
<b>Rpm</b>	5,500
<b>Heating element power</b>	2,000 W
<b>Dimensions</b>	245x276x214 mm.
<b>Weight</b>	4,65 Kg
<b>Cover thickness</b>	1.5 mm
<b>Drying time</b>	29 sec.
<b>Air velocity</b>	100 Km/h
<b>Air temperature (10 cm distance/21°C)</b>	50 °C
<b>Sound pressure (*) (at 2m)</b>	68 dBA
<b>Protection rating</b>	IP23

(\*) According to UNE EN ISO 11201:2010 V2 standard.

### Dimensions:



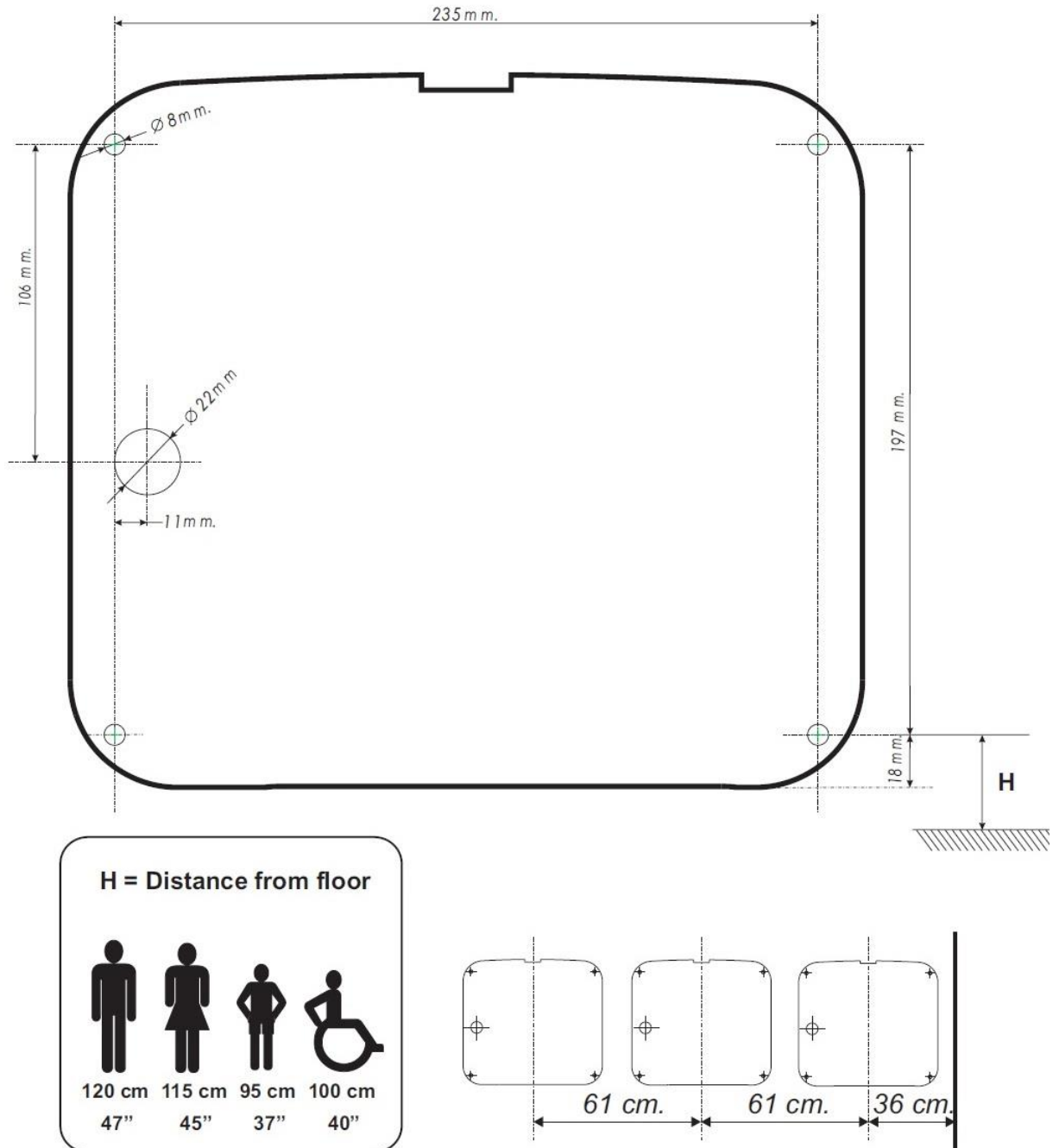
Dim. +/-4%

## Operation

Place the hands under the rotating nozzle. The dryer will start automatically, and go on with no interruption as long as the hands are kept in the detection range of the sensor. The appliance will stop 2 seconds after the hands are removed from the airflow.

## Mounting

### Recommended heights distance from the floor



## Certificates & Qualifications



Mediclinics, S.A., reserves the right to make changes and/or modifications to the products and their specifications without prior notice.  
 Revisión 06-15 © mediclinics S.A.

