

# specifications

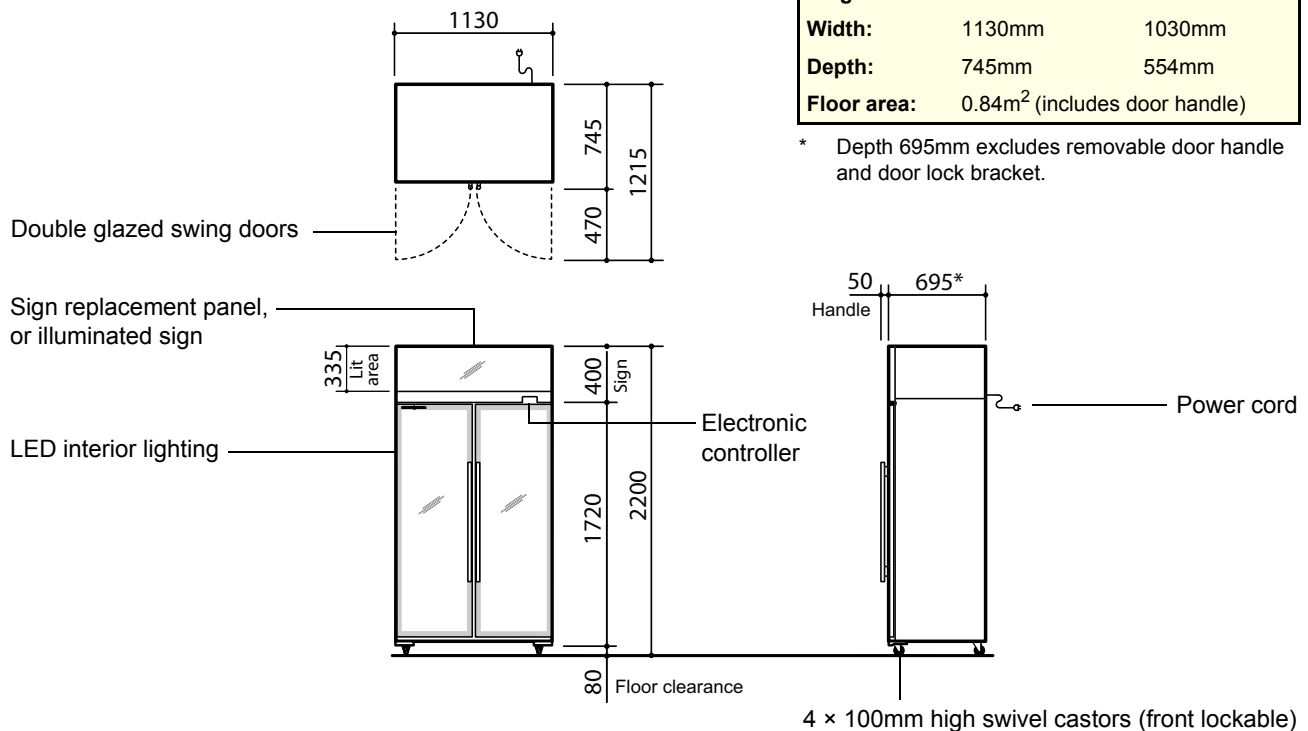
## TME1000-A Series

Top Mount ActiveCore  
Two Door Upright Chiller

### CABINET DIMENSIONS

|             | External                                  | Internal |
|-------------|---|----------|
| Height:     | 2200mm                                    | 1570mm   |
| Width:      | 1130mm                                    | 1030mm   |
| Depth:      | 745mm                                     | 554mm    |
| Floor area: | 0.84m <sup>2</sup> (includes door handle) |          |

\* Depth 695mm excludes removable door handle and door lock bracket.



Copyright © 2016 SKOPE Industries Limited

### GENERAL SPECIFICATIONS

|                             |   |  |
|-----------------------------|---|--|
| <b>Temperature range</b>    | 1°C to 4°C (adjustable up to 15°C)  |  |
| <b>Climate class</b>        | 5 (Tested at 43°C)  |  |
| <b>Doors</b>                | Lockable, self-closing, reversible, double glazed, single Low-E, argon filled, toughened safety glass swing doors (hinged LH, RH) |  |
| <b>Internal Volume</b>      | 980 litres  |  |
| <b>Interior lighting</b>    | 2 × 22W T8 LED tube (Ø26mm × 1500mm) side lights  |  |
| <b>Shelves</b>              | 10 adjustable height wire shelves: 500mm wide × 470mm deep (5 each door)  |  |
| <b>Power supply</b>         | 220-240 Volts a.c. 50 Hz, single phase supply. Supplied with 10 Amp 3-Pin plug  |  |
| <b>Current draw</b>         | 4.0 Amps (includes unit 2.9 Amps)   |  |
| <b>Refrigeration system</b> | Removable ActiveCore top mount refrigeration unit (UTHCCI-0002)   |  |
| <b>Refrigerant</b>          | R134a / 380g  |  |
| <b>Nominal capacity</b>     | 836 Watts   |  |
| <b>Controller</b>           | Carel S4 electronic controller  |  |
| <b>Drainage</b>             | No plumbing required  |  |
| <b>Weight</b>               | 225 kg  |  |

### INDIVIDUAL SPECIFICATIONS

|                      |                        |                                      |
|----------------------|------------------------|--------------------------------------|
| <b>Model</b>         | TME1000-A              | TME1000-AC                           |
| <b>Part number</b>   | SM10GV                 | SM10BV                               |
| <b>Sign</b>          | Sign replacement panel | 400mm high illuminated sign          |
| <b>Sign lighting</b> | n.a.                   | 1 × 17W T8 LED tube (Ø26mm × 1034mm) |

SKOPE Industries Limited reserve the right to alter specifications without notice.

PSS0471 Rev. 2.0 Apr. 2017



**SKOPE INDUSTRIES LIMITED**

Australian Freephone: 1800 121 535, New Zealand Freephone: 0800 947 5673

Email: skope@skope.co.nz, Website: www.skope.com

