



ICEU305

Features

- Space-saving 30" (762 mm) wide undercounter design.
- Produces up to 136 kg of ice per day.
- *Harvest Assist* provides consistent ice production for the life of the ice maker while reducing energy consumption and increasing capacity.
- *Pure Ice*® exclusively by Ice-O-Matic. Built-in antimicrobial protection for the life of the ice maker inhibits bacteria growth on ice maker surfaces. Coast's optional water filtration system provides protection against unpleasant tastes, odours and scale formation.
- Durable, electroless nickel plating on all evaporator plates ensures reliability.
- Constructed from corrosion-resistant stainless steel and fingerprint-proof plastic.
- Made in U.S.A

Options & Accessories

| WATER FILTERS | | |
|-------------------|----------|-------------|
| Ice Machine Model | Manifold | |
| | System | Replacement |
| ICEU305 | CD20B | CD200B |

Ice Maker Warranty

Every Ice-O-Matic ice maker is backed by a warranty that provides both parts and labor coverage.

- Three years **Parts** and **Labor**.
- Five years **Parts** coverage on the evaporator and compressor.

Ice Form



CUBE

| FULL CUBE DIMENSIONS | |
|----------------------|--------------|
| W x D x H (mm) | 22 x 22 x 22 |
| HALF CUBE DIMENSIONS | |
| W x D x H (mm) | 10 x 22 x 22 |

Space-Saving Solutions

- Front air discharge design for compact spaces.
- Low profile top saves counter space.
- Stores up to 44 kg of ice.
- Easy front access to ice.



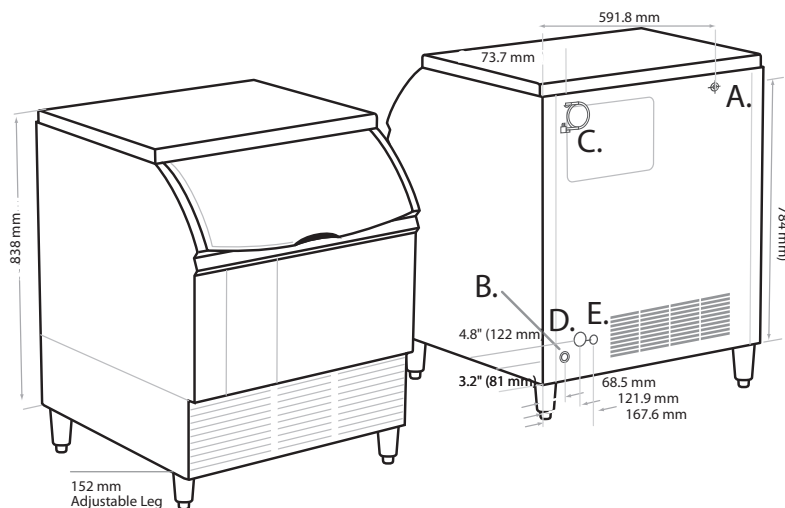
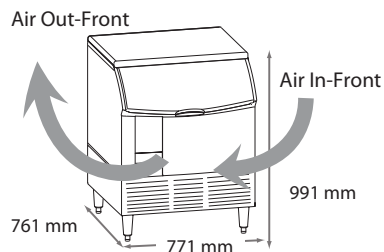


ICEU305 - SELF CONTAINED CUBE ICE MAKER

ICEU305 SELF CONTAINED CUBE ICE MAKER

Air and Water Cooled

- A. Ice maker water in 3/8" FPT.
- B. Bin and ice maker drain, 3/4" FPT.
- C. Electrical cord on 115 Volt unit.



Front & Rear View

Operating Requirements

| | MINIMUM | MAXIMUM |
|-------------------------|---------|--------------|
| | | 50 Hz |
| Ambient Temp. Range Air | 10°C | 43°C |
| Water Temp. | 4.4°C | |
| Water Pressure | 1.4 BAR | 4.1 BAR |

Dimensions

| ALL MODELS | |
|-----------------------|-----------------|
| W x D x H (mm) | 771 x 761 x 991 |
| 870mm high on castors | |

Specifications

| Model Number | Cond. Unit | Ice Production per 24hrs | | Water Usage Litres per 45 kg of ice @ 32°C air / 21°C water | kWH Used Per 45 kg of ice @ 32°C air / 21°C water | Watts Used Per Hr @ 32°C air / 21°C water | Voltage Characteristics | Min. Circuit Ampacity | Fuse Size | Approx. BTUs per hour |
|--------------|------------|--------------------------|--------------------------|--|--|--|-------------------------|-----------------------|-----------|-----------------------|
| | | 21°C air / 10°C water kg | 32°C air / 21°C water kg | | | | | | | |
| ICEU305A | Air | 136 | 101 | 116 | 7.70 | 720 | 220-240/50/1 | 6.6 | 16 | 5,392 |

NOTES:

- Number of Wires: 3 (including ground)
- Approx. Shipping Weight kg: ICEU305A 93
- Refrigerant Type: R404A